



# HIGH RATE SERIES

## HR5500ET

- Advanced AGM technology for superior high rate, short term power
- Front Access design for easy installation and maintenance
- Exclusive tank formed plates optimize cell voltage balance and performance
- Reinforced case resists bulging and meets safety requirements (UL94 V-0)
- Case & cover heat sealed and 100% tested to prevent leaks
- Epoxy-sealed posts eliminate leaks
- Puncture resistance micro-porous glass mat separators extend life
- Flame arresting, low pressure, seal-sealing valves are 100% factory tested
- Computer-aided design and manufacturing control processes and standards to ensure quality products
- All batteries meet or exceed IEEE 485, 1187 & 1188 requirements at shipment
- Battery design and construction meet UL recognition requirements



QUALITY SYSTEM  
CERTIFIED TO  
**ISO 9001**  
**ISO/TS 16949**  
**ISO 14001**



### SPECIFICATIONS

**Nominal Voltage:** 12-Volt/550 Watts per Cell  
@ 15 min. rate to 1.67 vpc

**Positive Plate:** Pure lead, low-calcium,  
high-tin alloy

**Negative Plate:** Lead calcium alloy

**Post Seal:** Epoxy-sealed

**Terminal:** Front access, 1/4" - 20  
threaded brass post

**Container:** Flame-retardant, polypropylene -  
UL 94 V-0/>28% L.O.I.

**Safety Vent:** Low positive  
pressure, self-sealing w/ flame arrestor

**Float Voltage:** 2.25 volts per cell ± 0.01 vpc  
at 77°F (25°C)

**Design Life:** 10 years in float applications  
at 77°F/25°C

**Dimensions:** 22.00" (558.8 mm) L  
x 4.90" (124.5 mm) W  
x 11.75" (298.5 mm) H

**Weight:** 120 lbs. (54.4 kg.)

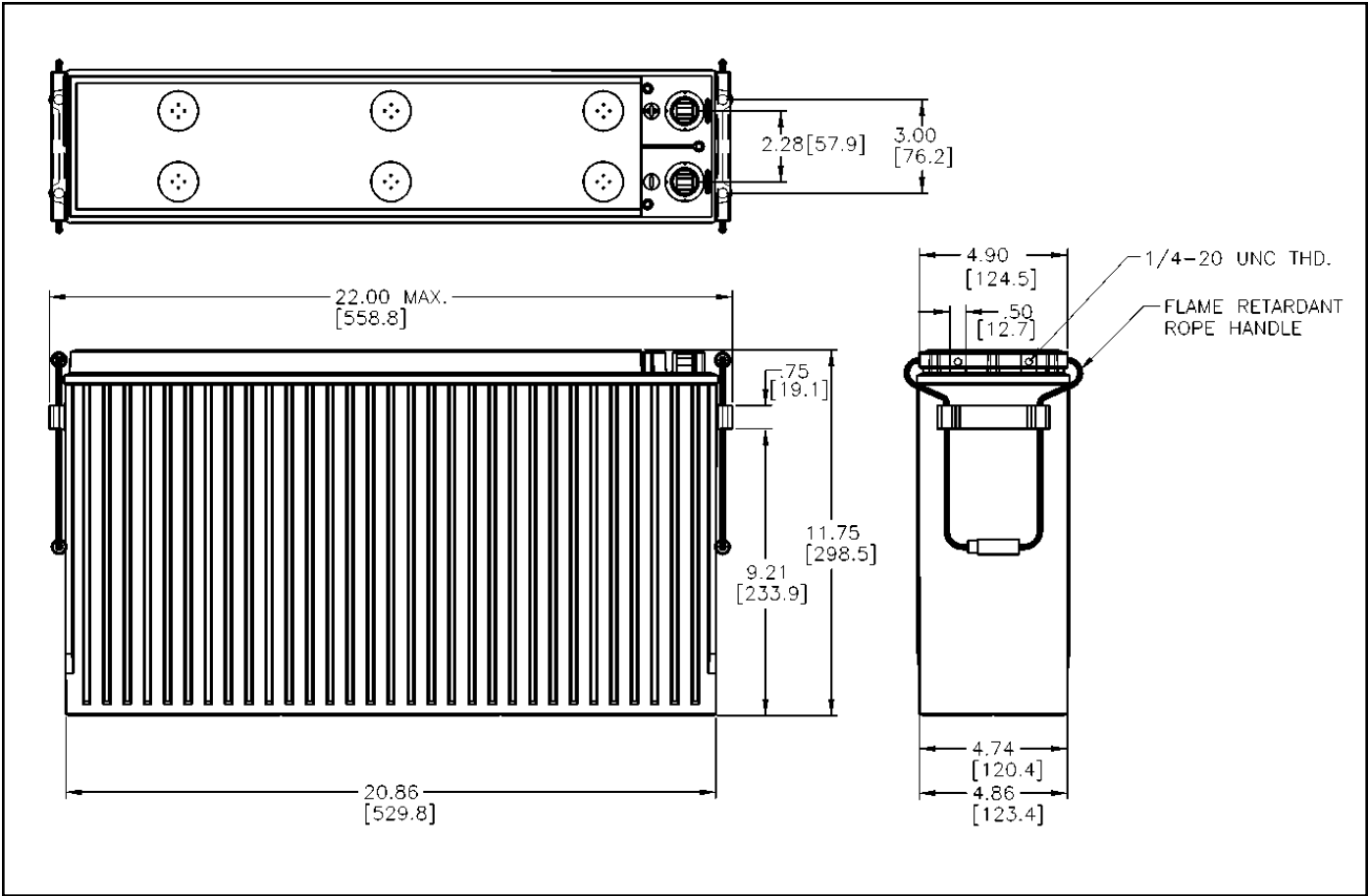
### DISCHARGE RATE IN WATTS PER CELL @ 77°F (25°C)†

Volts Per Cell (VPC)	5 MINS.	10 MINS.	15 MINS.	20 MINS.	30 MINS.	40 MINS.	50 MINS.	60 MINS.
1.80	653	540	463	389	324	267	230	203
1.75	749	602	506	420	344	280	239	210
1.70	828	647	535	443	356	288	245	215
1.67	864	670	550	453	360	291	247	216
1.60	946	712	576	471	369	297	250	218

### DISCHARGE RATE IN AMPS @ 77°F (25°C)†

Volts Per Cell (VPC)	5 MINS.	15 MINS.	30 MINS.	60 MINS.	90 MINS.	2 HR.	3 HR.	4 HR.	8 HR.	10 HR.	20HR.	24HR.	100HR.
1.80	356	291	170	105	67	54	40	32	18	15	8.4	7.1	1.8
1.75	417	330	182	109	69	55	41	32	19	16	8.5	7.2	1.8

† Subject to change without notice.



**"POWERED FOR PERFORMANCE"®**

***EAST PENN manufacturing co., inc.***

Lyon Station, PA 19536-0147 • Phone: 610-682-6361 • Fax: 610-682-4781

**Order Department Hotline: 610-682-4231**

www.eastpennunigy.com • e-mail: sales@eastpennunigy.com

E.P.M. Form No. 0773 12/06 © 2006 by EPM Printed in U.S.A.

All data subject to change without notice.  
 No part of this document may be copied or reproduced, electronically or mechanically, without written permission from the company.