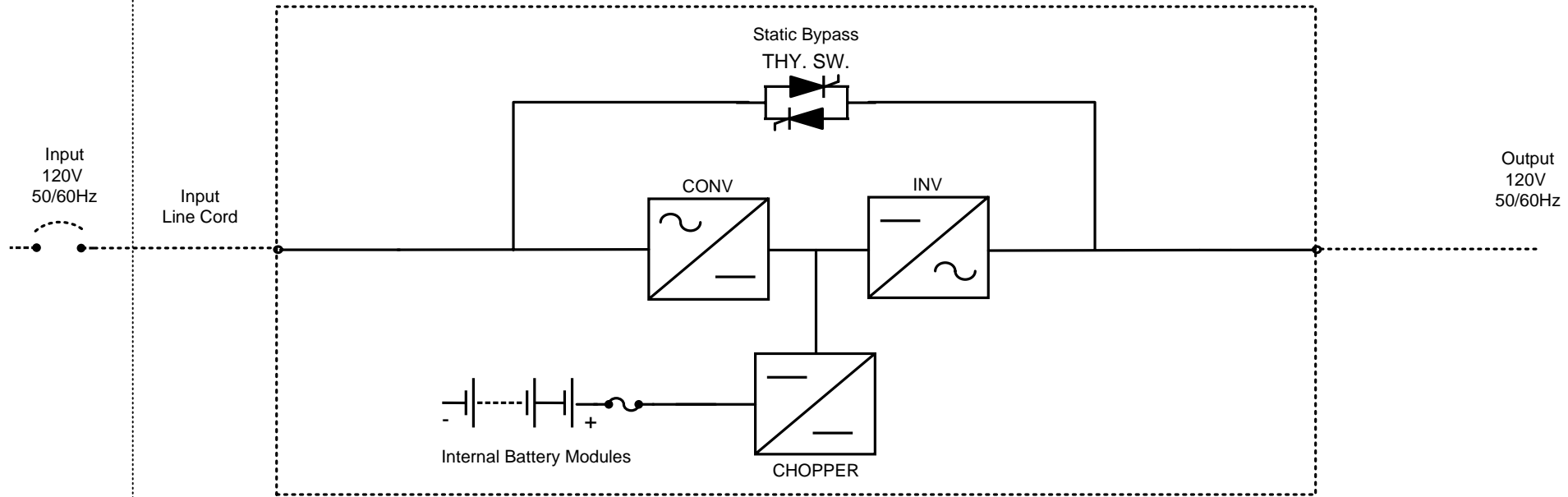


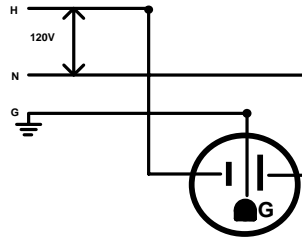
# UPS Cabinet



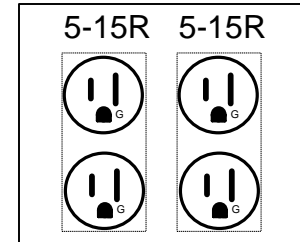
Input Cord  
Line Cord L5-30P (6ft)



Wiring Diagram



Output Receptacle Panel



## NOTES

1) This drawing is for illustration purposes only and is subject to change without notice. TIC is not responsible for any errors or omissions.

Drawn by  
JE  
DATE 01/08/07

Approved by  
TT  
DATE 01/08/07

# TOSHIBA

**INTERNATIONAL CORPORATION**  
Houston Texas, USA

THIS MATERIAL IS THE EXCLUSIVE PROPERTY OF TOSHIBA INTERNATIONAL CORPORATION AND SHALL NOT BE REPRODUCED, USED, OR DISCLOSED TO OTHERS UNLESS PRIOR WRITTEN AUTHORIZATION IS OBTAINED.

TITLE

1000 Series Rackmount  
3.0kVA Model 120V Input  
120V Output

DRAWING NO.

UT1A1A030C6RKB2

REV.

1.0