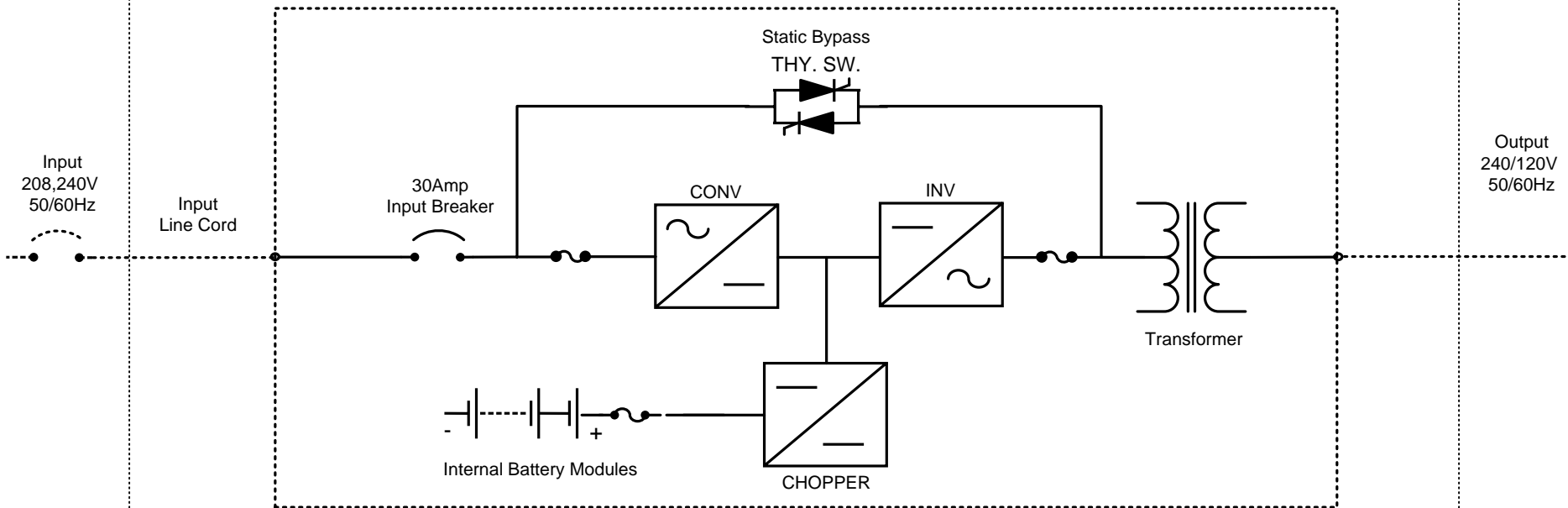


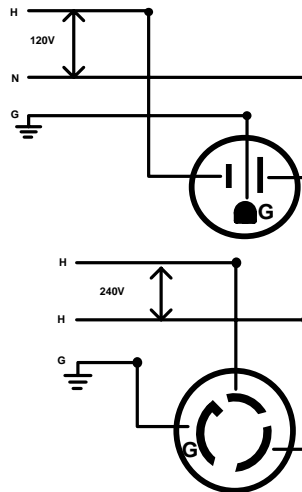
UPS Cabinet



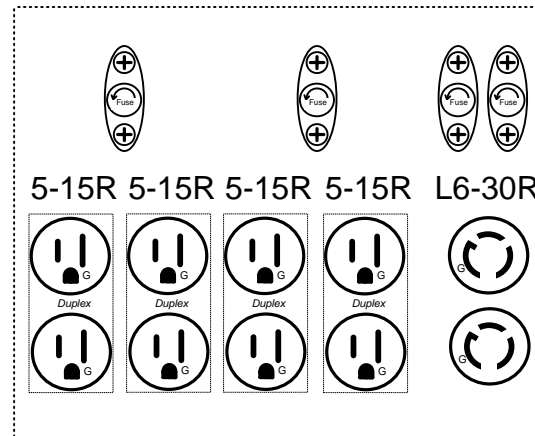
Input Cord
Line Cord L6-30P (8ft)



Wiring Diagram



Output Receptacle Panel



NOTES

1. 5-15R has 15 Amp 600V Fuse
2. L6-30R has 30 Amp 600V fuse per phase

DRAWN BY

DATE

JE

10/13/05

APPROVED

DATE

GM

10/13/05

TOSHIBA

**INTERNATIONAL CORPORATION
Houston Texas, USA**

THIS MATERIAL IS THE EXCLUSIVE PROPERTY OF TOSHIBA INTERNATIONAL CORPORATION AND SHALL NOT BE REPRODUCED, USED, OR DISCLOSED TO OTHERS UNLESS PRIOR WRITTEN AUTHORIZATION IS OBTAINED.

TITLE

1600 EP Series

3.6kVA Model 208/240V Input

240/120V Output

DRAWING NO.

UE3G2L036C61TPB7

REV.

1.0