

| Part No. | UPS KVA | UPS Output Amp Rating | Breaker Type | Breaker Amp CB1/CB2/CB3 | Voltage | KAIC Rating at 240V/480V/600V |
|-------------|---------|-----------------------|--------------|-------------------------|---------|-------------------------------|
| MBSW-10K-S3 | 100KVA | 150A | ABB-T3 | 150A/150A/150A | 480Vac | 25KAIC@480Vac |

Enclosure - NEMA 1, Wall-Mount (UL Listed).

Box/ Trim - 16-Gauge steel finished with heat fused Beige polyester powder, electrostatically applied on a phosphatized base.

Breakers - ABB thermal-magnetic type, 150AT, 150AF, 3-poles, supplied with (1) 300 kcmil terminal lug per phase. (3) 2/0-350kcmil Neutral Lug. Ground Stud Inside Enclosure.

Cable Entry - Cable entry may be located in top, bottom or sides (Top/Bottom Knockout Panels Provided).

Weight - Approximately 140 lbs.

OPTIONS

Toshiba Part#: MBSW-10K-S3-KK

KK: Mechanical Interlock between CB2 & CB3

Parts: KK1-KK2

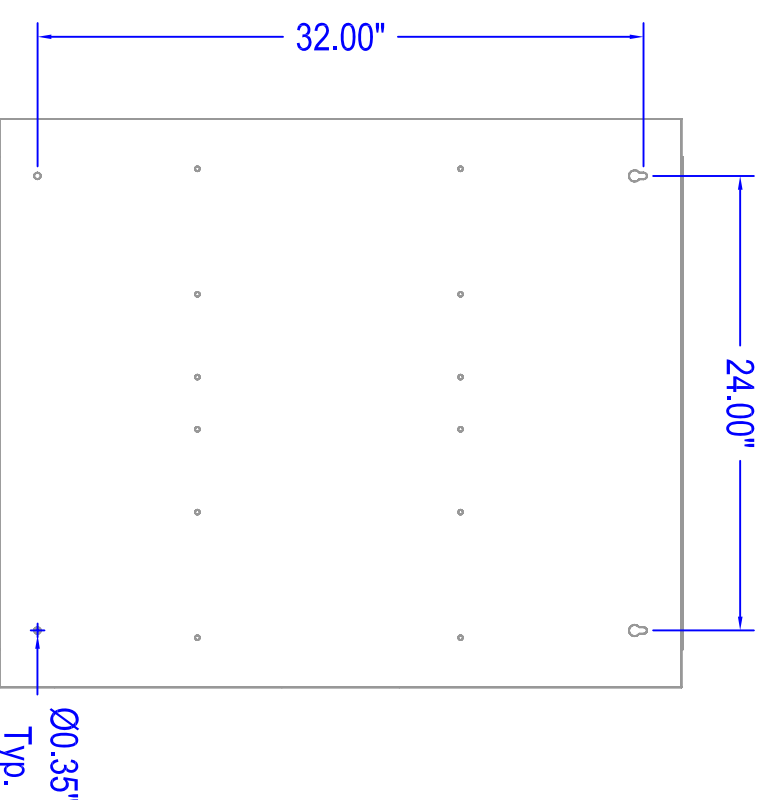
Toshiba Part#: MBSW-10K-S3-KS

KS: Electro-Mechanical Interlock between Module & UPS

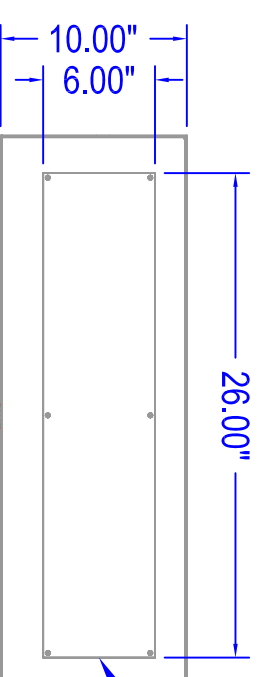
Parts: KK1-KK2-SK1-PL1

NOTE

* Please refer to OPTION table for all details.

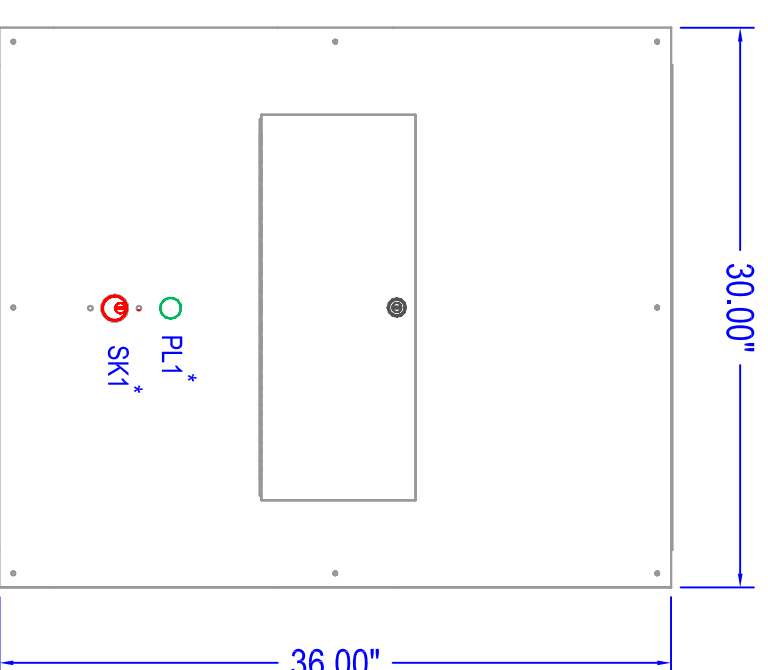


Back View

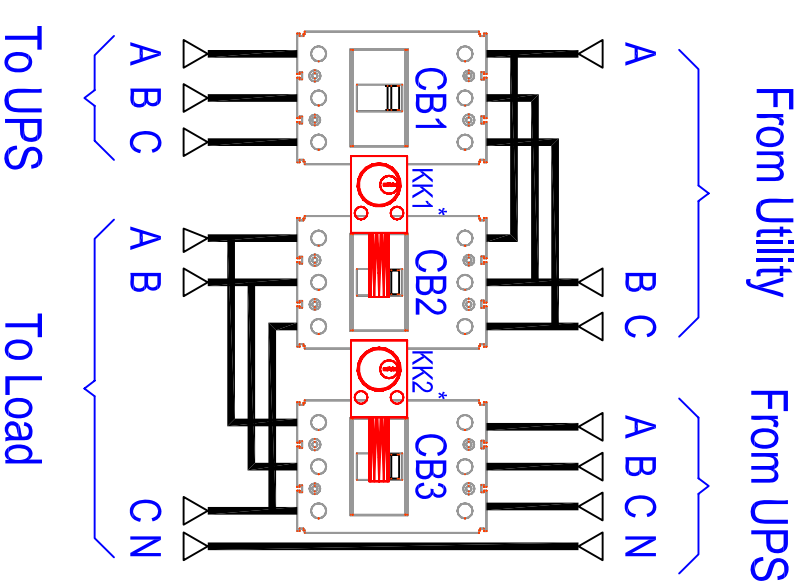


Top View

Top/Bottom Removable Panel



Front View



Termination View

| INT | 01 | DRAWN BY: | DATE |
|-----|----|-------------|------------|
| | | A.Hamrah | Aug 15, 08 |
| | | CHECKED BY | DATE |
| | | APPROVED BY | DATE |

THIS MATERIAL IS THE EXCLUSIVE PROPERTY OF TOSHIBA INTERNATIONAL CORPORATION AND SHALL NOT BE REPRODUCED, USED OR DISCLOSED TO OTHERS UNLESS PRIOR WRITTEN AUTHORIZATION IS OBTAINED.

TITLE: 100KVA, 150A, 480V, 3BRK Wall Mounted Bypass

TOSHIBA INTERNATIONAL CORPORATION
13131 WEST LITTLE YORK ROAD, HOUSTON, TX, 77041 U.S.A.

| SCALE | ORDER NO. |
|-------------|----------------------------|
| n/a | 100KVA-3BRK480V0150A MBS01 |
| DRAWING NO. | SH. 1 OF 1 |