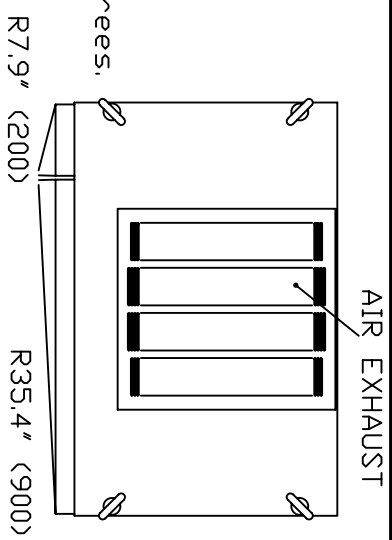
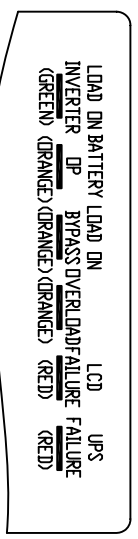


<p><b>NOTES</b></p> <p>1) This drawing is for illustration purposes only and is subject to change without notice. TIC is not responsible for any errors or omissions.</p>	<p>Drawn by EKM Date 6/04/08 Approved by</p>	<p><b>TOSHIBA</b> INTERNATIONAL CORPORATION Houston Texas, USA</p> <p>THIS MATERIAL IS THE EXCLUSIVE PROPERTY OF TOSHIBA INTERNATIONAL CORPORATION AND SHALL NOT BE REPRODUCED, USED, OR DISCLOSED TO OTHERS UNLESS PRIOR WRITTEN AUTHORIZATION IS OBTAINED.</p>	<p>TITLE</p> <p>One-Line Diagram 100 kVA <b>G8000MM Series</b> UPS 480V Single Input, 480Y/277V Output</p> <p>DRAWING NO. T8MS3K10K6XSN</p> <p>REV. 0.0</p>
---	--	--	---

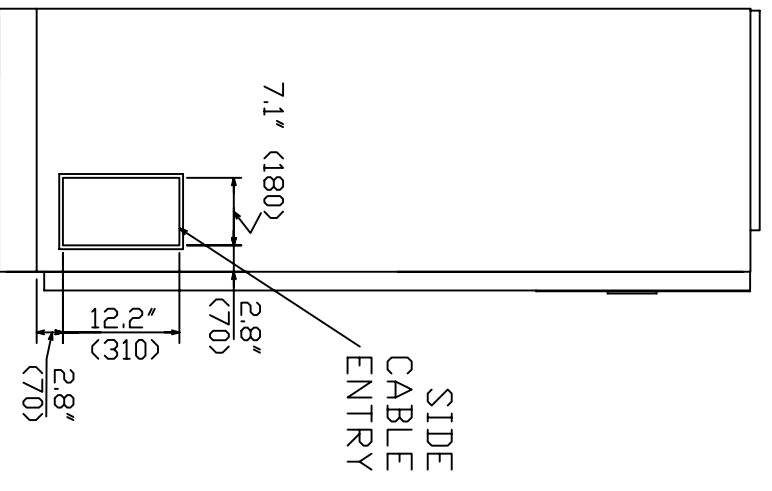
- NOTES
1. Cabinets must be maintained upright +/-10 degrees.
  2. Paint finish is color number 28Y7.7/D.3.
  3. Dimensions are inches (mm).



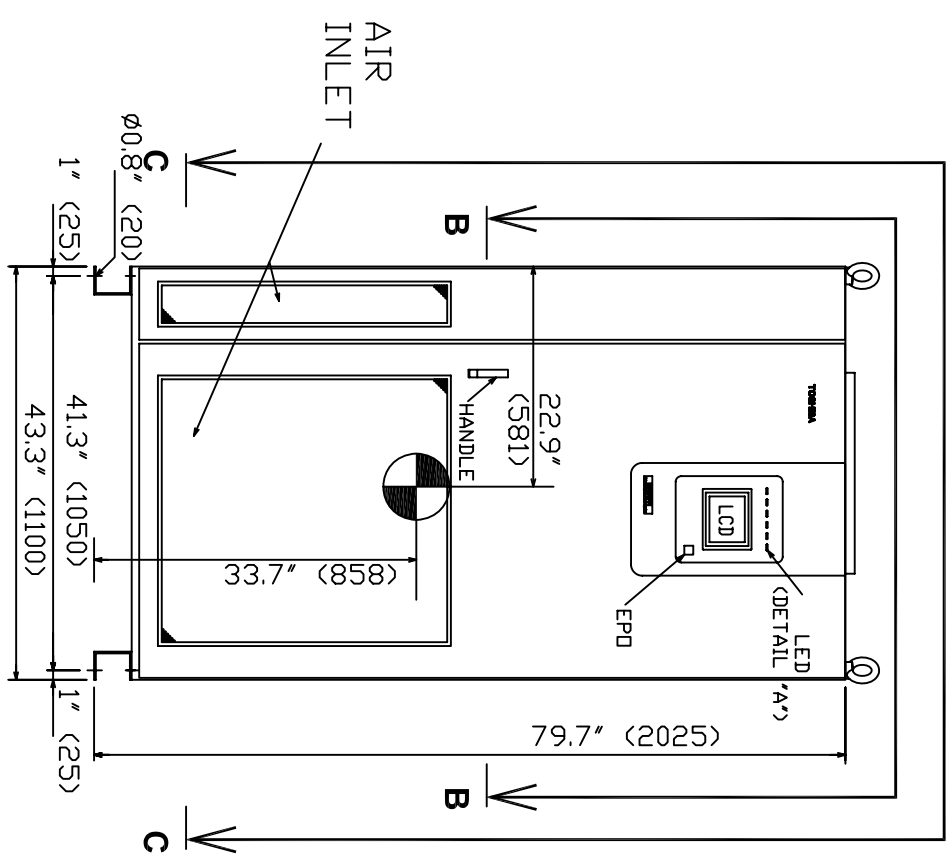
TOP VIEW



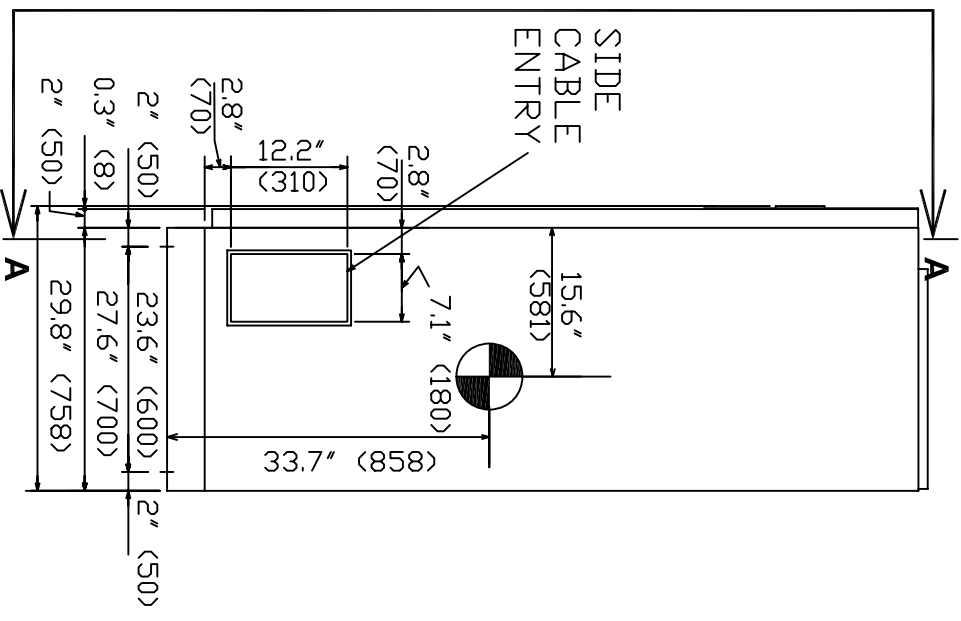
DETAIL "A"



LEFT SIDE VIEW

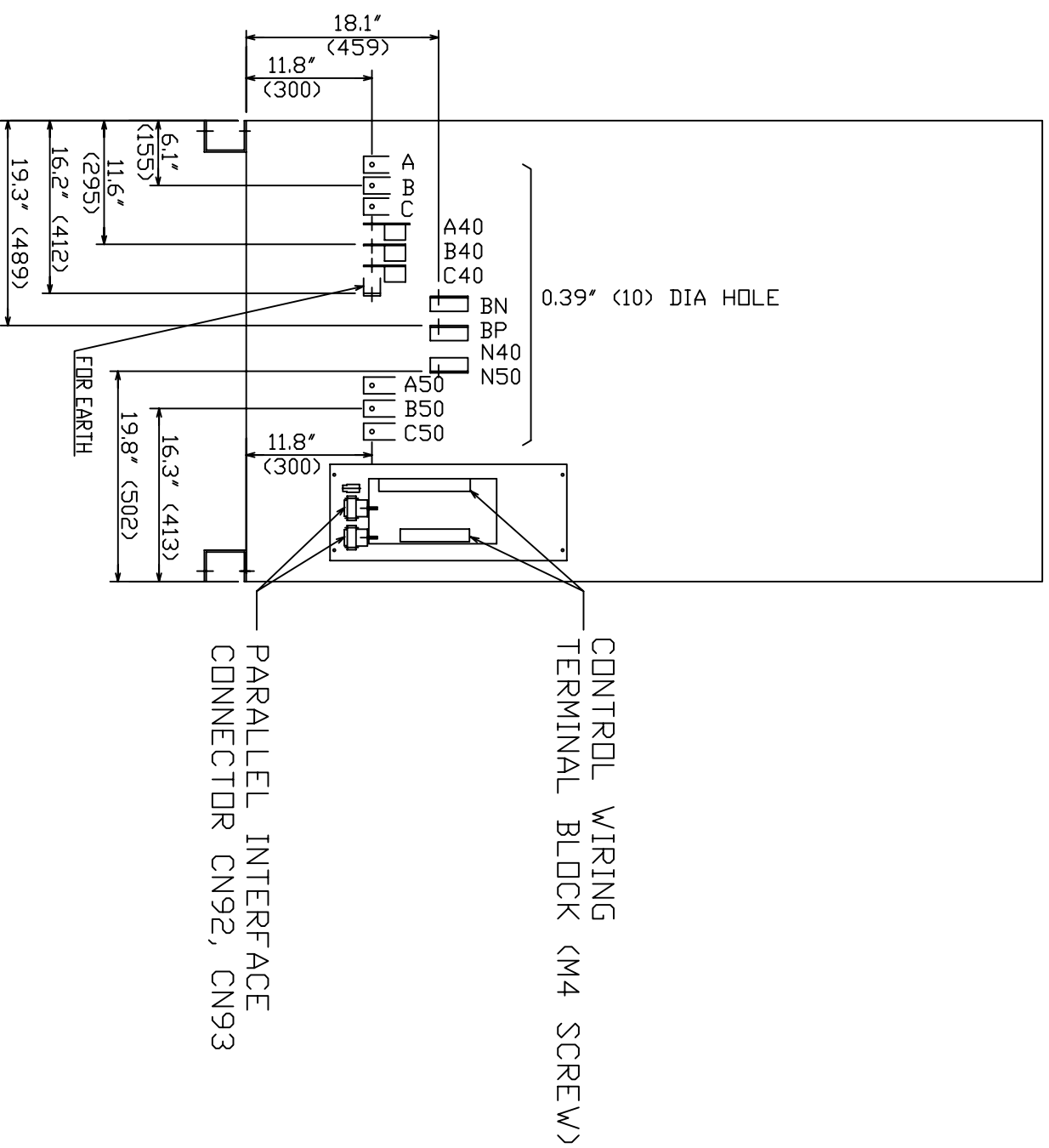


FRONT VIEW

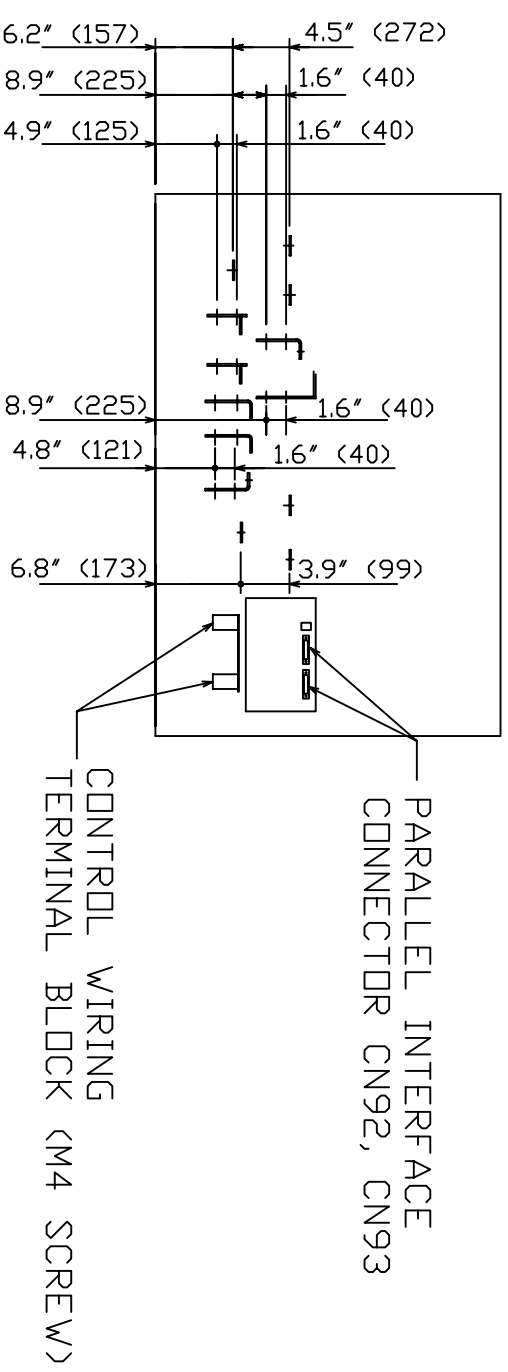


RIGHT SIDE VIEW

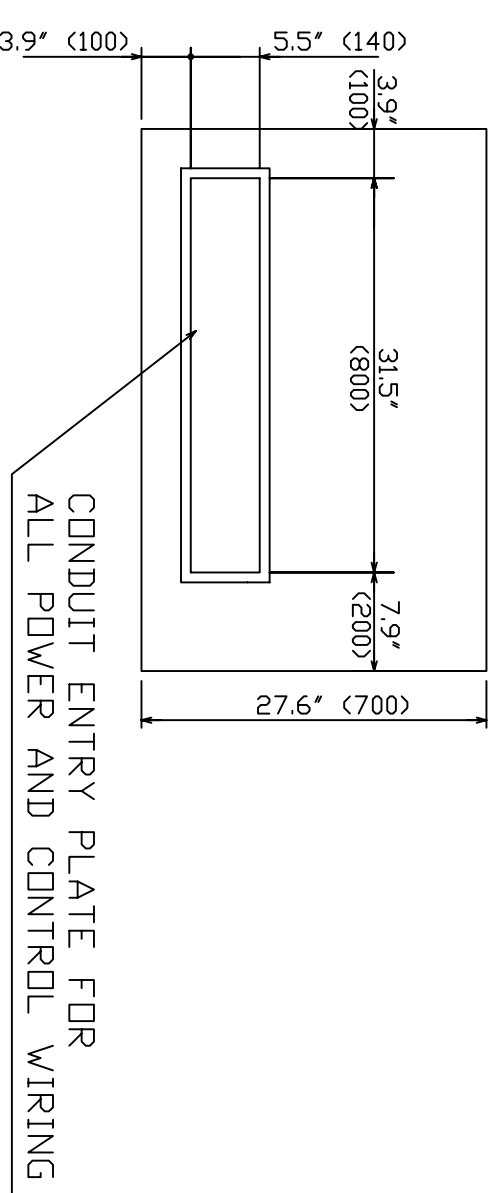
INIT	RELEASE	P0	JBT	JBT	DRAWN BY:	JBT	DATE	10/16/07	THIS MATERIAL IS THE EXCLUSIVE PROPERTY OF TOSHIBA INTERNATIONAL CORPORATION AND SHALL NOT BE REPRODUCED, USED OR DISCLOSED TO OTHERS UNLESS PRIOR WRITTEN AUTHORIZATION IS OBTAINED.	TITLE: G8000MM UPS 100KVA OUTLINE & INSTALLATION DRAWING	SCALE	ORDER NO.
				CHECKED BY		DATE		NTS			1044DL12-MKTG	
				APPROVED BY		DATE		DRAWING NO.			SH1	



SECTION A-A



SECTION B-B



SECTION C-C

INIT RELEASE P0	JBT	DRAWN BY: JBT	DATE: 1/14/08	THIS MATERIAL IS THE EXCLUSIVE PROPERTY OF TOSHIBA INTERNATIONAL CORPORATION AND SHALL NOT BE REPRODUCED, USED OR DISCLOSED TO OTHERS UNLESS PRIOR WRITTEN AUTHORIZATION IS OBTAINED.	TITLE: G8000 UPS 100KVA OUTLINE & INSTALLATION DIAGRAM	SCALE: NTS	ORDER NO. 10440L22-MKTG
		CHECKED BY:	DATE:				
		APPROVED BY:	DATE:				
TOSHIBA INTERNATIONAL CORPORATION 13131 WEST LITTLE YORK ROAD, HOUSTON, TX, 77041 U.S.A.							