

Part No.	UPS KVA	UPS Output Amp Rating	Breaker Type	Breaker Amp CB1/CB2/CB3	Voltage	KAIC Rating at 240V/480V/600V
MBSW-15K-S3	150KVA	225A	ABB-T3	225A/225A/225A	480Vac	25KAIC@480Vac

Enclosure - NEMA 1, Wall-Mount (UL Listed).

Box/ Trim - 16-Gauge steel finished with heat fused Beige polyester powder, electrostatically applied on a phosphatized base.

Breakers - ABB thermal-magnetic type, 225AT, 225AF, 3-poles, supplied with (1) 300 kcmil terminal lug per phase. (3) 2/0-350kcmil Neutral Lug. Ground Stud Inside Enclosure.

Cable Entry - Cable entry may be located in top, bottom or sides (Top/Bottom Knockout Panels Provided).

Weight - Approximately 140 lbs.

OPTIONS

Toshiba Part#: MBSW-15K-S3-KK

KK: Mechanical Interlock between CB2 & CB3

Parts: KK1-KK2

Toshiba Part#: MBSW-15K-S3-KS

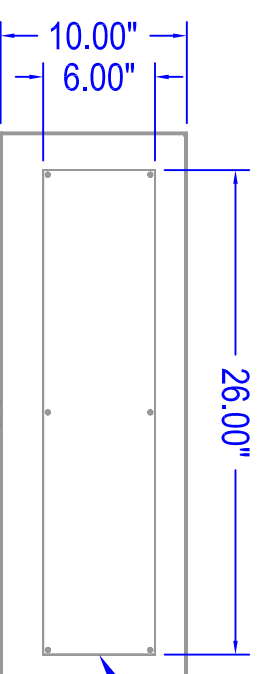
KS: Electro-Mechanical Interlock between Module & UPS

Parts: KK1-KK2-SK1-PL1

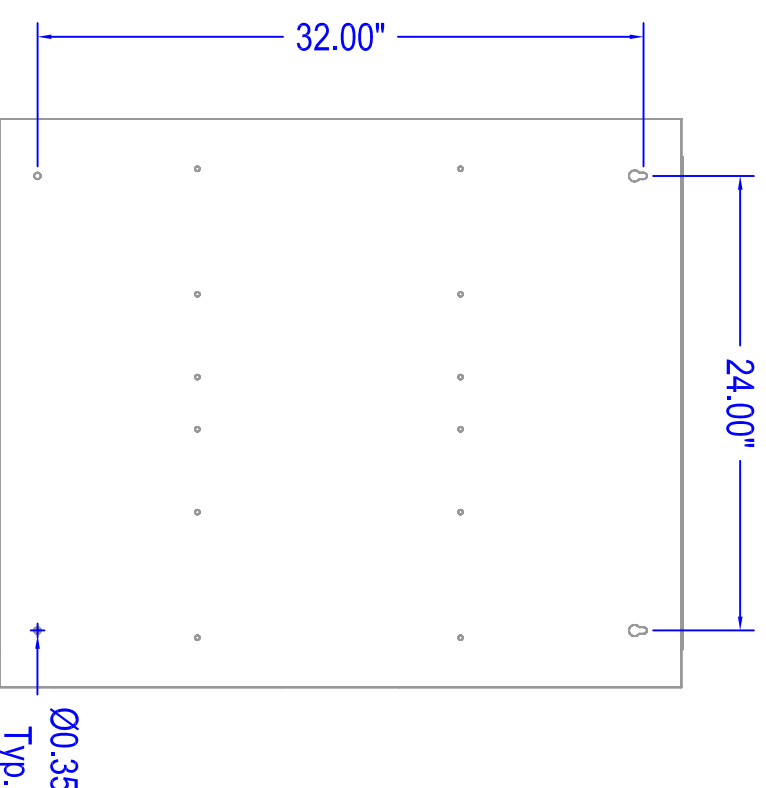
NOTE

* Please refer to OPTION table for all details.

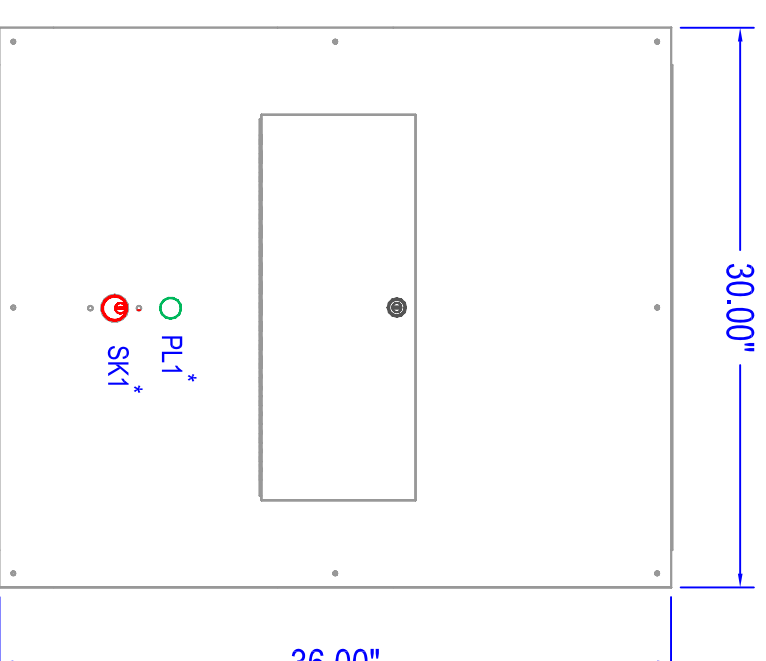
INT	01	DRAWN BY:	DATE
		A.Hamrah	Aug 15, 08
		CHECKED BY	DATE
		APPROVED BY	DATE



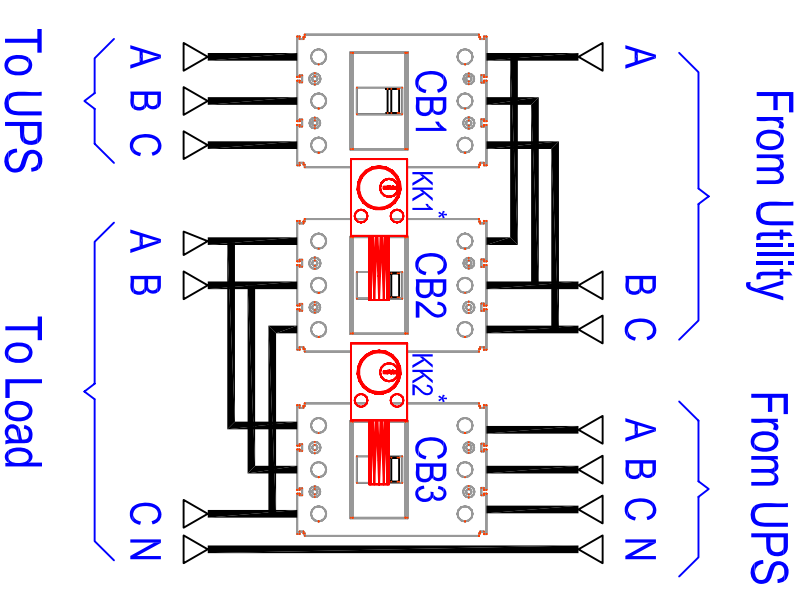
Top View



Back View



Front View



Termination View

THIS MATERIAL IS THE EXCLUSIVE PROPERTY OF TOSHIBA INTERNATIONAL CORPORATION AND SHALL NOT BE REPRODUCED, USED OR DISCLOSED TO OTHERS UNLESS PRIOR WRITTEN AUTHORIZATION IS OBTAINED.

TOSHIBA INTERNATIONAL CORPORATION
13131 WEST LITTLE YORK ROAD, HOUSTON, TX, 77041 U.S.A.

TITLE: 150KVA, 225A, 480V, 3BRK Wall Mounted Bypass

SCALE	ORDER NO.
n/a	150KVA-3BRK480V0225A MBS01