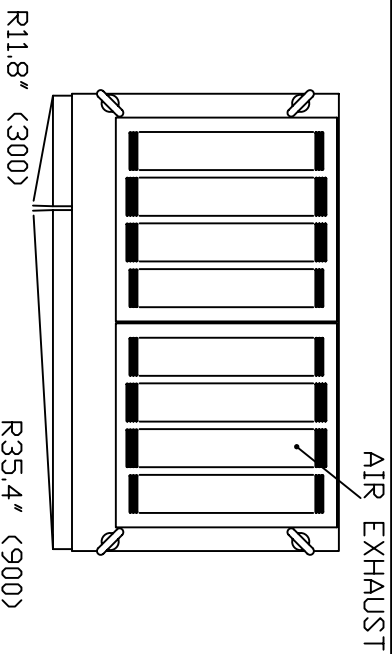
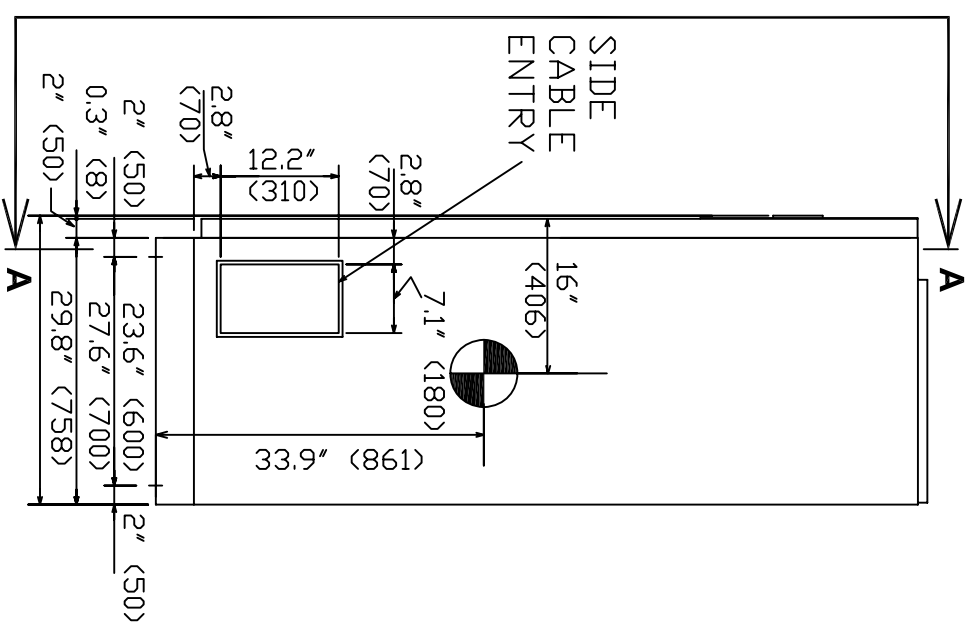
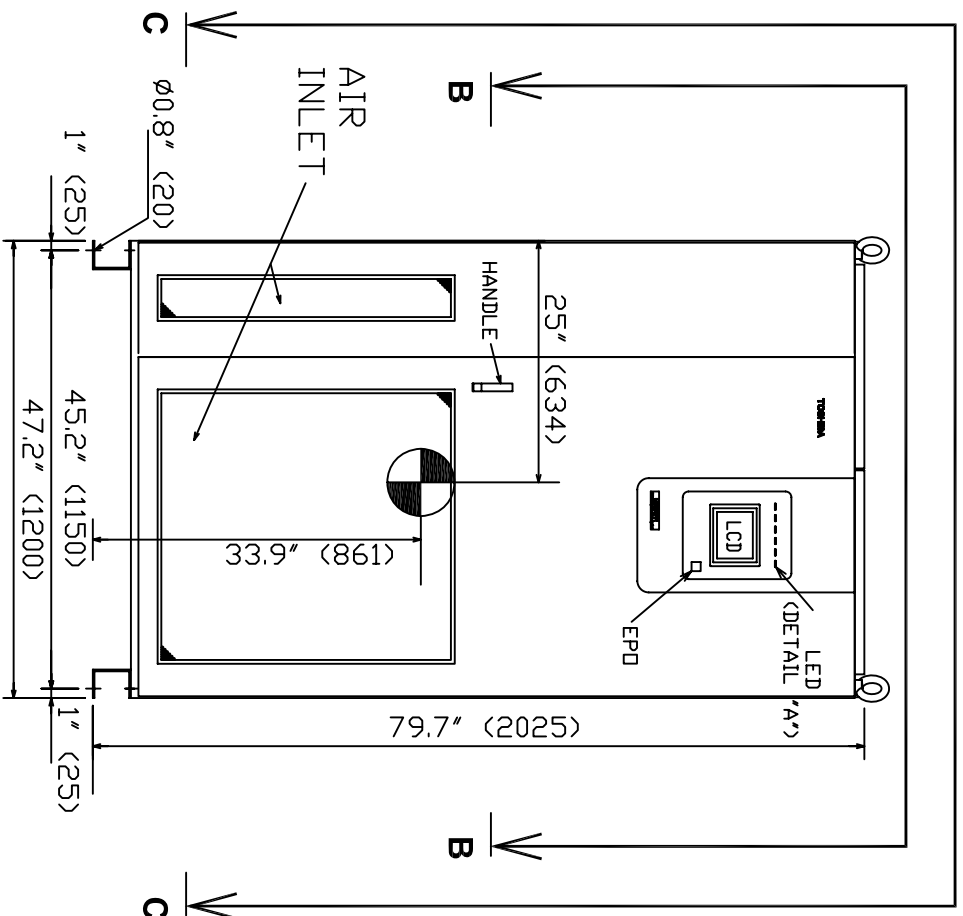
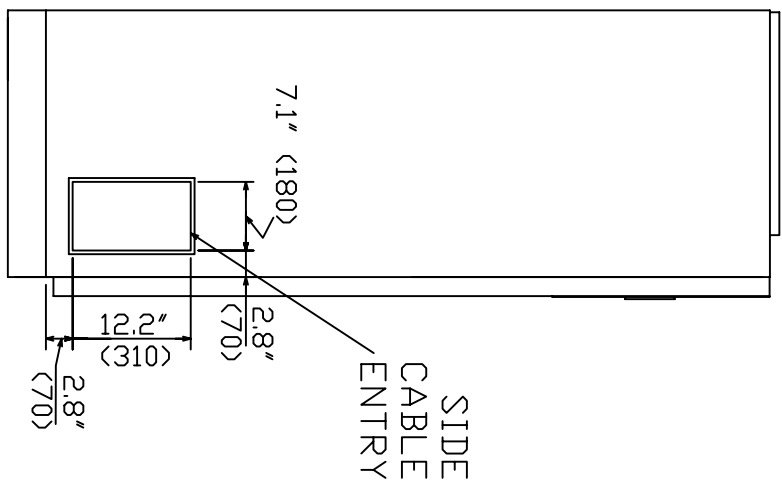
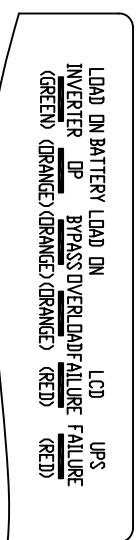


|   |  |  |  |
|---|--|--|--|
| <p><b>NOTES</b></p> <p>1) This drawing is for illustration purposes only and is subject to change without notice. TIC is not responsible for any errors or omissions.</p> | <p>Drawn by<br/>EKM<br/>Date 6/04/08<br/>Approved by</p> | <p><b>TOSHIBA</b><br/>INTERNATIONAL CORPORATION<br/>Houston Texas, USA</p> <p>THIS MATERIAL IS THE EXCLUSIVE PROPERTY OF TOSHIBA INTERNATIONAL CORPORATION AND SHALL NOT BE REPRODUCED, USED, OR DISCLOSED TO OTHERS UNLESS PRIOR WRITTEN AUTHORIZATION IS OBTAINED.</p> | <p>TITLE</p> <p>One-Line Diagram<br/>150 kVA <b>G8000MM Series</b> UPS<br/>480V Single Input, 480Y/277V Output</p> <p>DRAWING NO. T8MS3K15KK6XSN</p> <p>REV. 0.0</p> |
|---|--|--|--|



- NOTES
1. Cabinets must be maintained upright +/-10 degrees.
  2. Paint finish is color number 28Y7.7/D.3.
  3. Dimensions are inches (mm).



LEFT SIDE VIEW

RIGHT SIDE VIEW

|              |    |              |     |      |         |
|--------------|----|--------------|-----|------|---------|
| INIT RELEASE | P0 | DRAWN BY:    | JBT | DATE | 8/28/07 |
|              |    | CHECKED BY:  |     | DATE |         |
|              |    | APPROVED BY: |     | DATE |         |

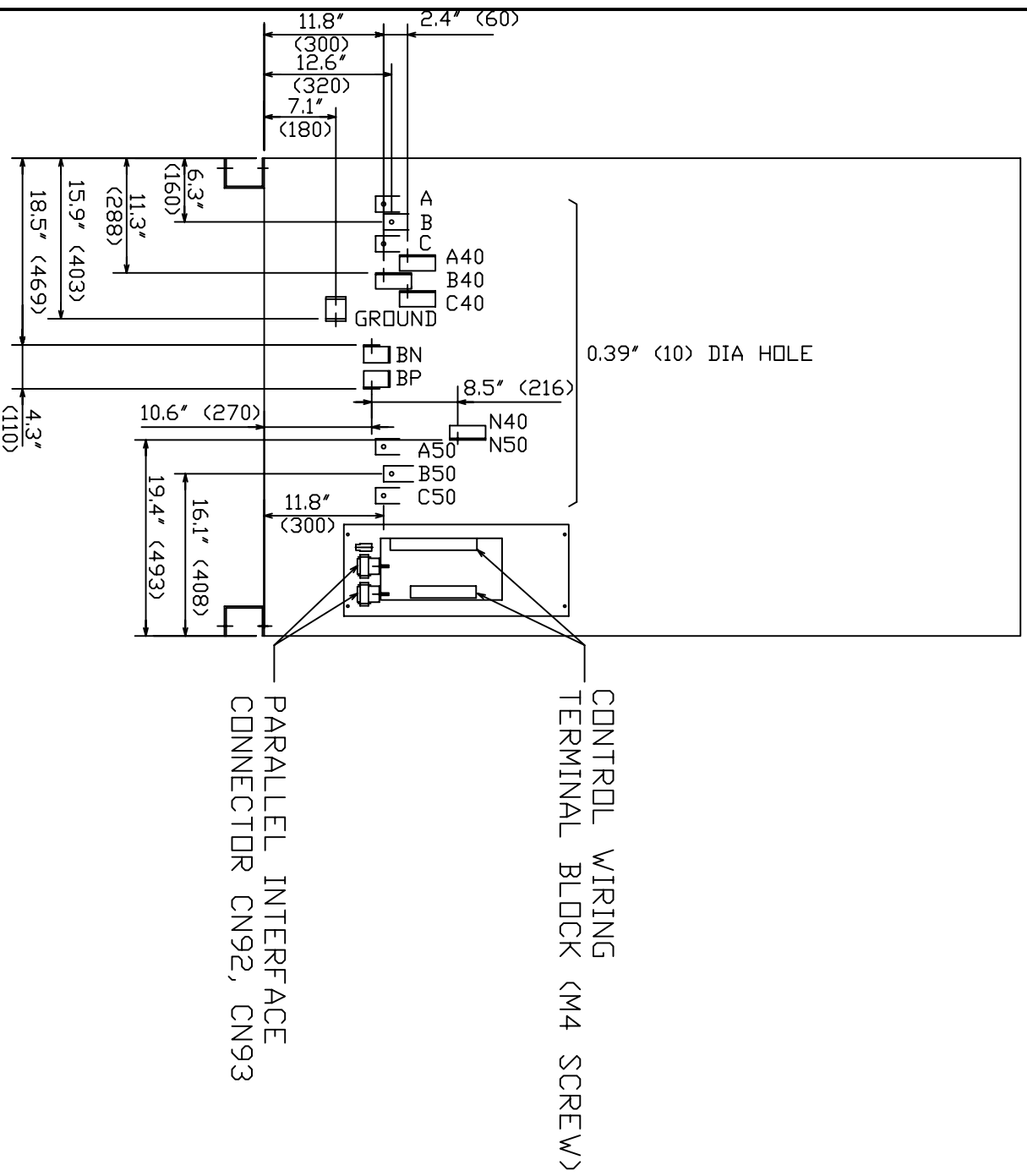
THIS MATERIAL IS THE EXCLUSIVE PROPERTY OF TOSHIBA INTERNATIONAL CORPORATION AND SHALL NOT BE REPRODUCED, USED OR DISCLOSED TO OTHERS UNLESS PRIOR WRITTEN AUTHORIZATION IS OBTAINED.

TITLE: 58000MM UPS 150KVA  
 OUTLINE & INSTALLATION DRAWING

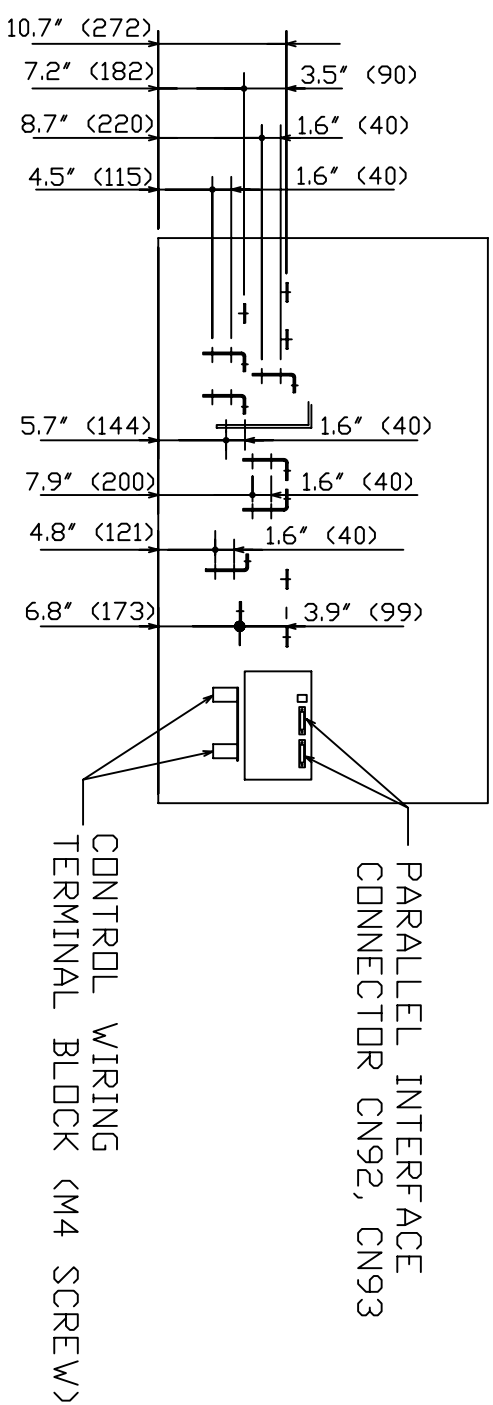
TOSHIBA INTERNATIONAL CORPORATION  
 13131 WEST LITTLE YORK ROAD, HOUSTON, TX, 77041 U.S.A.

SCALE: NTS  
 DRAWING NO. 15440L12-MKTG

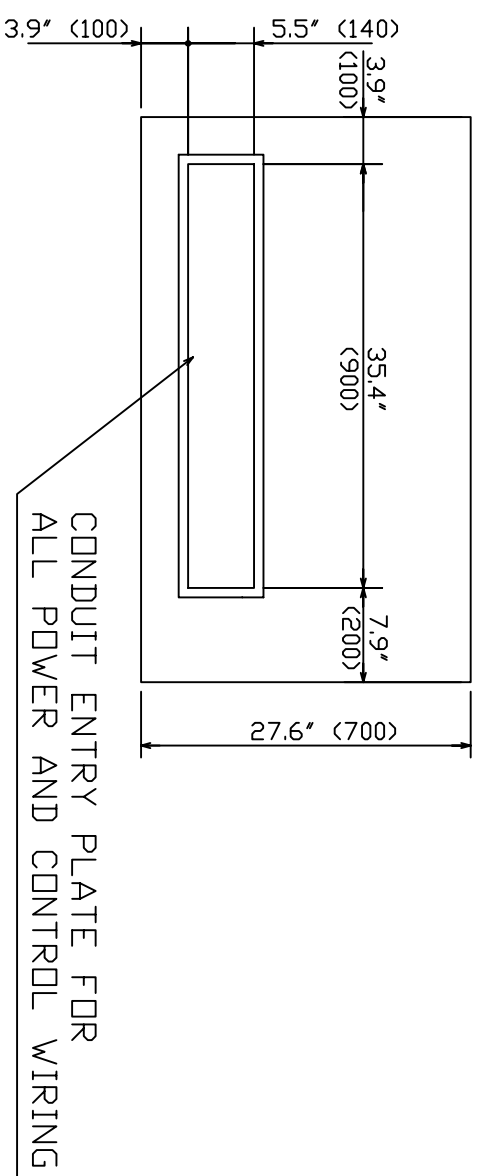
ORDER NO.



SECTION A-A



SECTION B-B



SECTION C-C

|                 |     |                  |                  |
|-----------------|-----|------------------|------------------|
| INIT RELEASE P0 | JBT | DRAWN BY:<br>JBT | DATE<br>10/10/07 |
|                 |     | CHECKED BY       | DATE             |
|                 |     | APPROVED BY      | DATE             |

THIS MATERIAL IS THE EXCLUSIVE PROPERTY OF TOSHIBA INTERNATIONAL CORPORATION AND SHALL NOT BE REPRODUCED, USED OR DISCLOSED TO OTHERS UNLESS PRIOR WRITTEN AUTHORIZATION IS OBTAINED.

TITLE: G8000MM 150KVA UPS  
OUTLINE AND INSTALLATION DRAWING

TOSHIBA INTERNATIONAL CORPORATION  
13131 WEST LITTLE YORK ROAD, HOUSTON, TX, 77041 U.S.A.

|                              |           |
|------------------------------|-----------|
| SCALE<br>NTS                 | ORDER NO. |
| DRAWING NO.<br>15440L22-MKTG |           |
| SH. 2                        | OF 2      |