

NOTES

1) This drawing is for illustration purposes only and is subject to change without notice. TIC is not responsible for any errors or omissions.

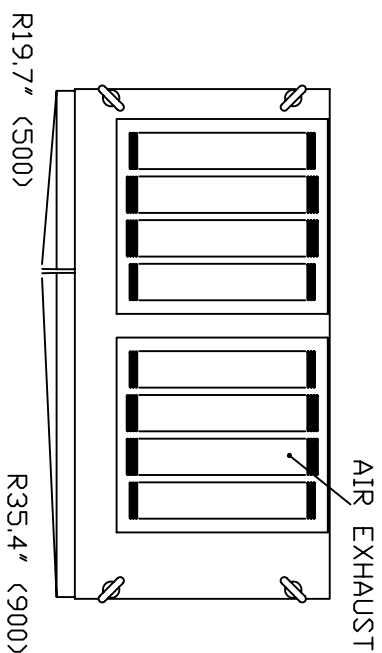
Drawn by
EKM
Date 6/04/08
Approved by

TOSHIBA
INTERNATIONAL CORPORATION
Houston Texas, USA

THIS MATERIAL IS THE EXCLUSIVE PROPERTY OF TOSHIBA INTERNATIONAL CORPORATION AND SHALL NOT BE REPRODUCED, USED, OR DISCLOSED TO OTHERS UNLESS PRIOR WRITTEN AUTHORIZATION IS OBTAINED.

TITLE
One-Line Diagram
225 kVA **G8000MM** Series UPS
480V Single Input, 480Y/277V Output

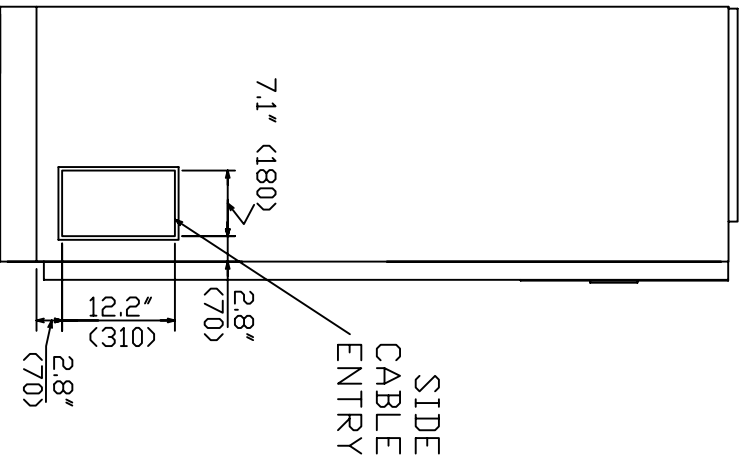
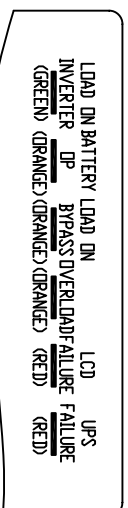
DRAWING NO. T8MS3K22KK6XSN
REV. 0.0



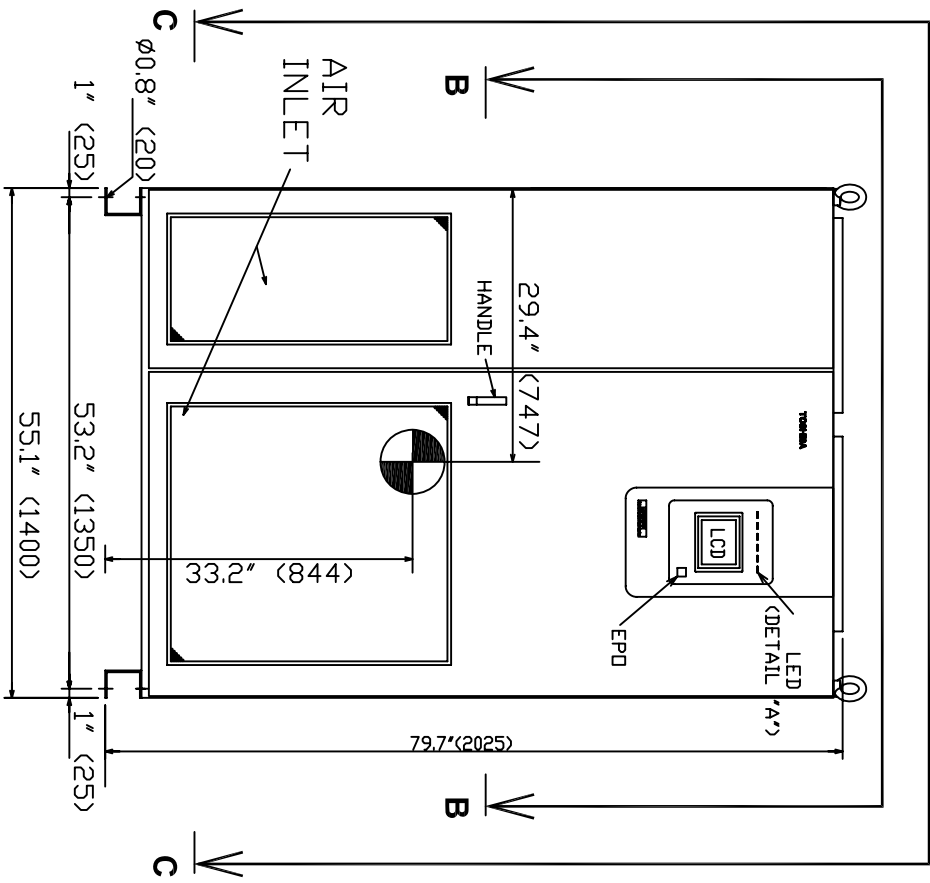
TOP VIEW

- NOTES
1. Cabinets must be maintained upright +/-10 degrees.
 2. Paint finish is color number 2.8Y7.7/D.3.
 3. Dimensions are inches (mm).

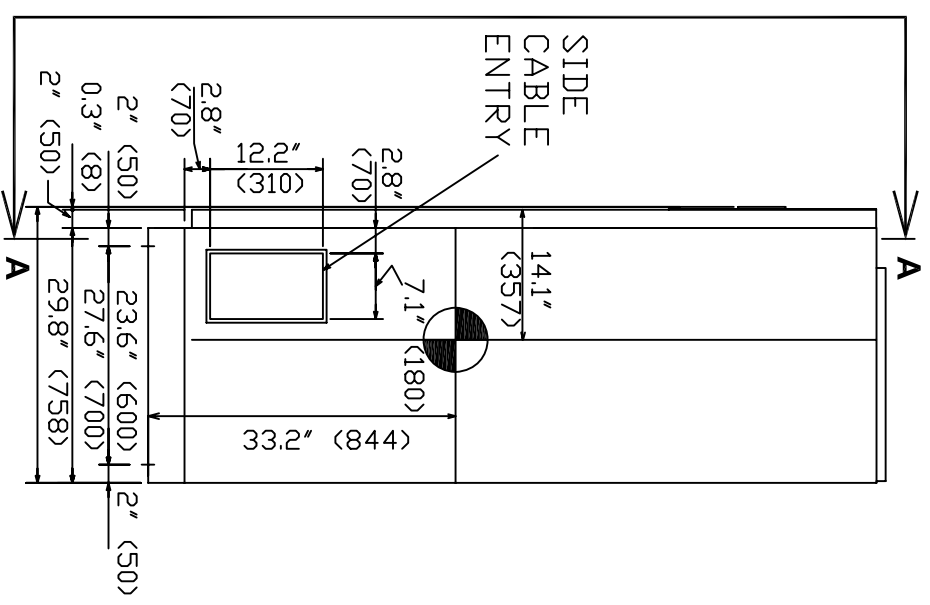
DETAIL "A"



LEFT SIDE VIEW



FRONT VIEW



RIGHT SIDE VIEW

INIT RELEASE	P0	JBT	DRAWN BY:	JBT	DATE	1/11/08
			CHECKED BY:		DATE	
			APPROVED BY:		DATE	

THIS MATERIAL IS THE EXCLUSIVE PROPERTY OF TOSHIBA INTERNATIONAL CORPORATION AND SHALL NOT BE REPRODUCED, USED OR DISCLOSED TO OTHERS UNLESS PRIOR WRITTEN AUTHORIZATION IS OBTAINED.

TITLE: 68000MM UPS 225KVA OUTLINE & INSTALLATION DRAWING

SCALE: NTS

ORDER NO.

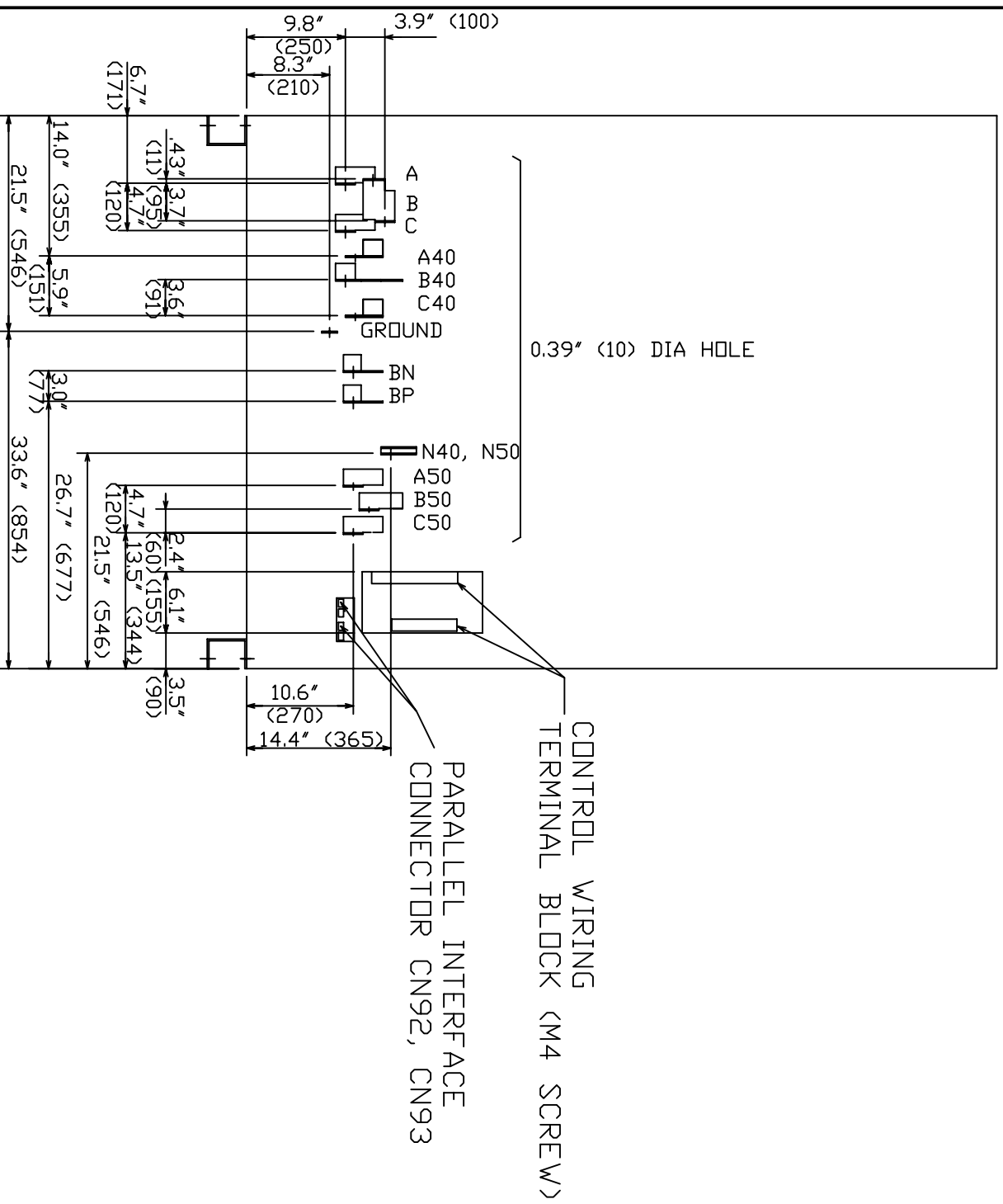
TOSHIBA INTERNATIONAL CORPORATION
13131 WEST LITTLE YORK ROAD, HOUSTON, TX, 77041 U.S.A.

DRAWING NO. 22440L12-MKTG

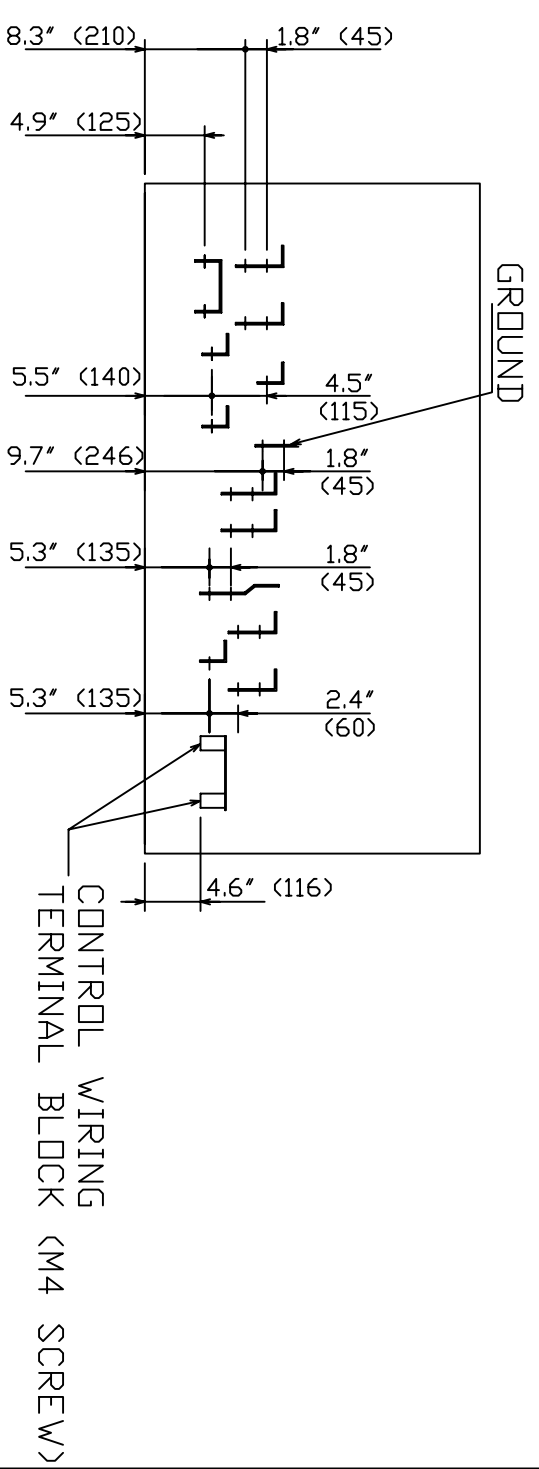
SH.1

DF.2

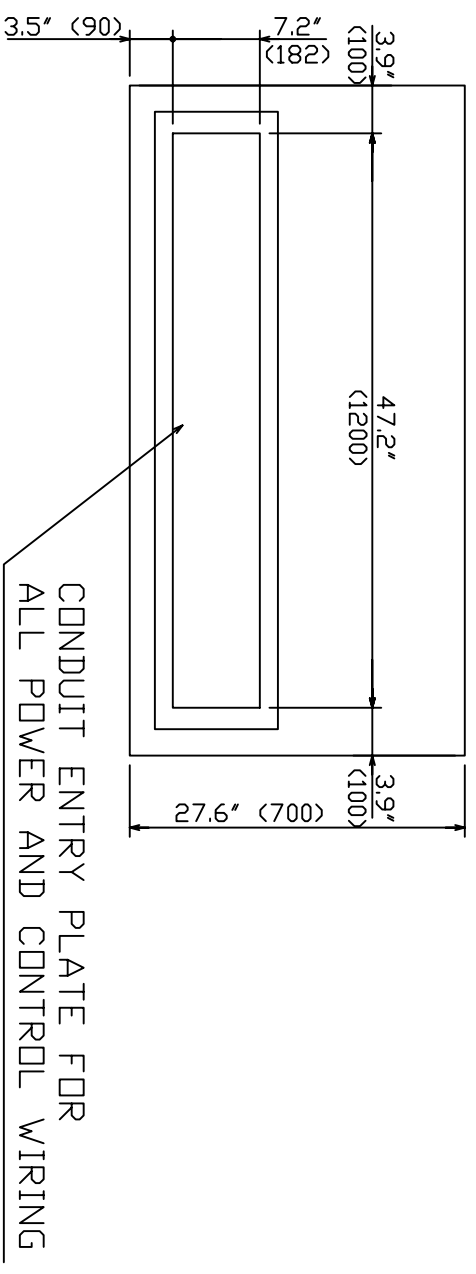
3320# (1500kg)



SECTION A-A



SECTION B-B



SECTION C-C

INIT RELEASE	P0	JBT	DRAWN BY: JBT	DATE 1/11/07	THIS MATERIAL IS THE EXCLUSIVE PROPERTY OF TOSHIBA INTERNATIONAL CORPORATION AND SHALL NOT BE REPRODUCED, USED OR DISCLOSED TO OTHERS UNLESS PRIOR WRITTEN AUTHORIZATION IS OBTAINED.	TITLE G8000MM UPS 225KVA OUTLINE & INSTALLATION DIAGRAM	SCALE NTS	ORDER NO.
			CHECKED BY	DATE			DRAWING NO. 2244DL22-MKTG	
			APPROVED BY	DATE			SH.2	DF.2

TOSHIBA INTERNATIONAL CORPORATION
13131 WEST LITTLE YORK ROAD, HOUSTON, TX. 77041 U.S.A.