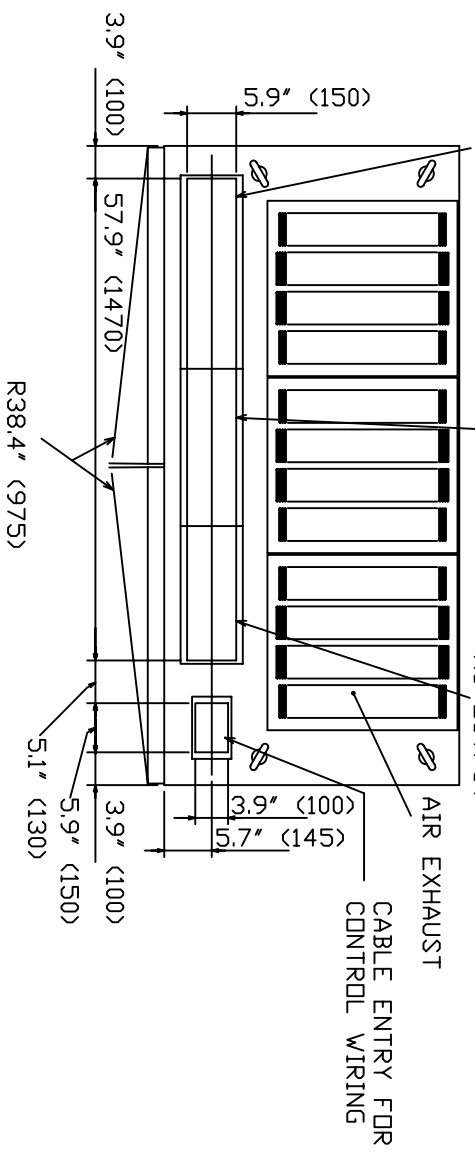


<p>NOTES</p> <p>1) This drawing is for illustration purposes only and is subject to change without notice. TIC is not responsible for any errors or omissions.</p>	<p>Drawn by EKM Date 6/04/08 Approved by</p>	<p style="text-align: center;">TOSHIBA INTERNATIONAL CORPORATION Houston Texas, USA</p> <p style="text-align: center;">THIS MATERIAL IS THE EXCLUSIVE PROPERTY OF TOSHIBA INTERNATIONAL CORPORATION AND SHALL NOT BE REPRODUCED, USED, OR DISCLOSED TO OTHERS UNLESS PRIOR WRITTEN AUTHORIZATION IS OBTAINED.</p>	<p>TITLE</p> <p style="text-align: center;">One-Line Diagram 300 kVA G8000MM Series UPS 480V Single Input, 480Y/277V Output</p> <table border="1" style="width: 100%;"> <tr> <td data-bbox="1491 1485 1900 1549">DRAWING NO. T8MS3K30KK6XSN</td> <td data-bbox="1900 1485 2003 1549">REV. 0.0</td> </tr> </table>	DRAWING NO. T8MS3K30KK6XSN	REV. 0.0
DRAWING NO. T8MS3K30KK6XSN	REV. 0.0				

CABLE ENTRY FOR AC INPUT, DC INPUT

CABLE ENTRY FOR BYPASS INPUT

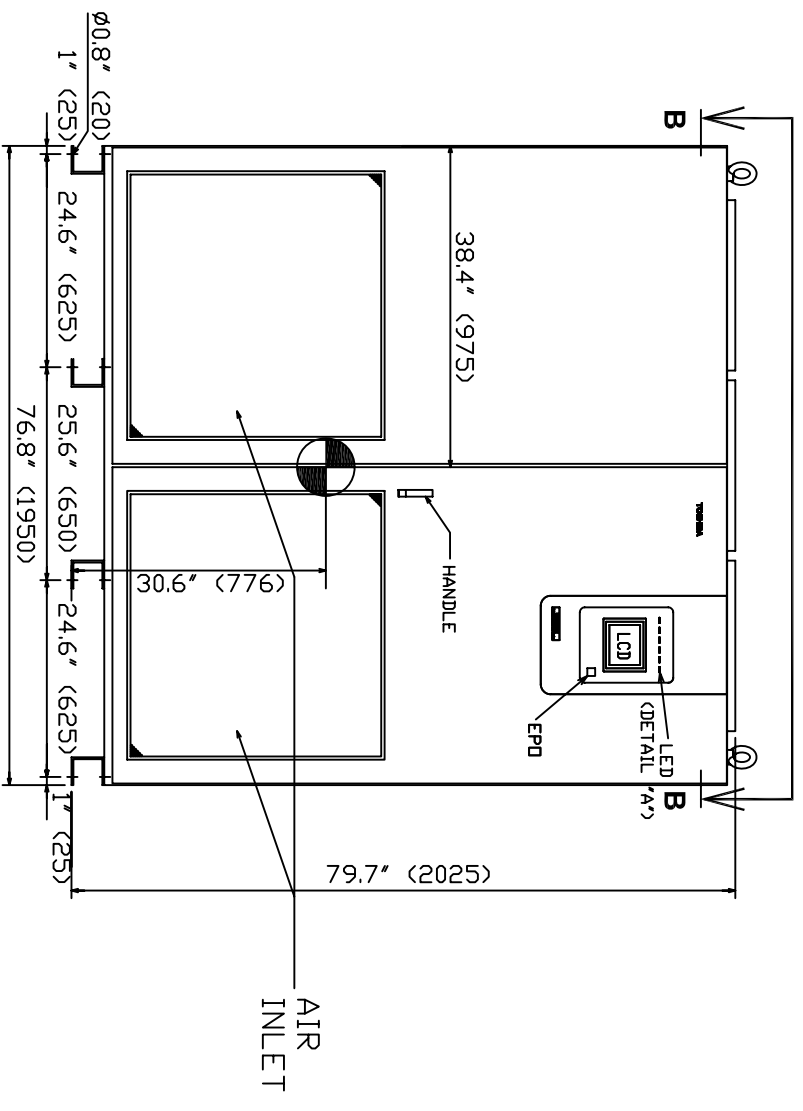
CABLE ENTRY FOR AC OUTPUT



TOP VIEW

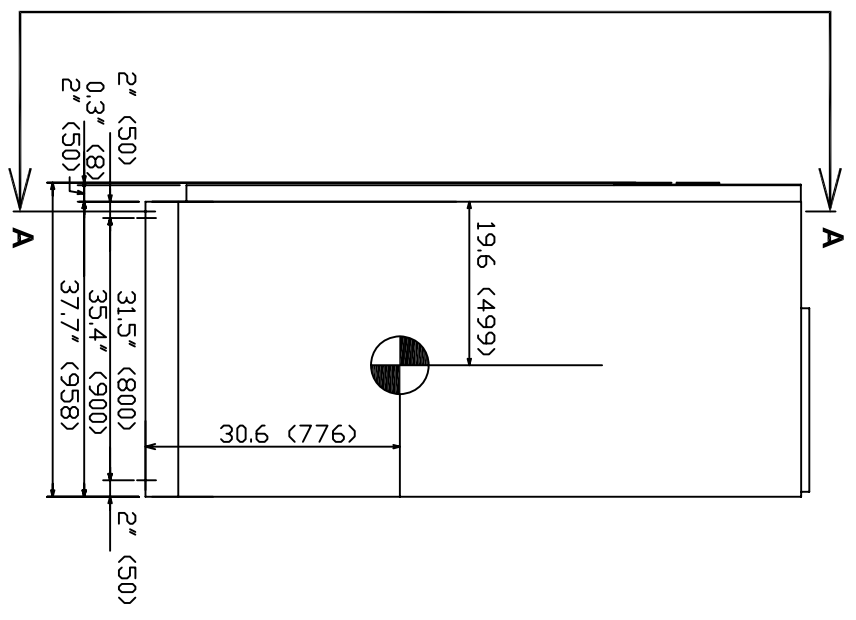
- NOTES
1. Cabinets must be maintained upright +/-10 degrees.
 2. Paint finish is color number 2.8Y7.7/D.3.
 3. Dimensions are inches (mm).

LOAD ON BATTERY LOAD ON INVERTER BYPASS OVERLOAD FAILURE UPS LCD UPS FAILURE (GREEN) (ORANGE) (ORANGE) (RED) (RED)



FRONT VIEW

4980# (2260kg)



RIGHT SIDE VIEW

DETAIL "A"

INIT RELEASE P0 JBT

DRAWN BY: JBT DATE: 10/15/07

CHECKED BY: DATE:

APPROVED BY: DATE:

THIS MATERIAL IS THE EXCLUSIVE PROPERTY OF TOSHIBA INTERNATIONAL CORPORATION AND SHALL NOT BE REPRODUCED, USED OR DISCLOSED TO OTHERS UNLESS PRIOR WRITTEN AUTHORIZATION IS OBTAINED.

TITLE: G8000MM UPS 300kVA OUTLINE & INSTALLATION DRAWING

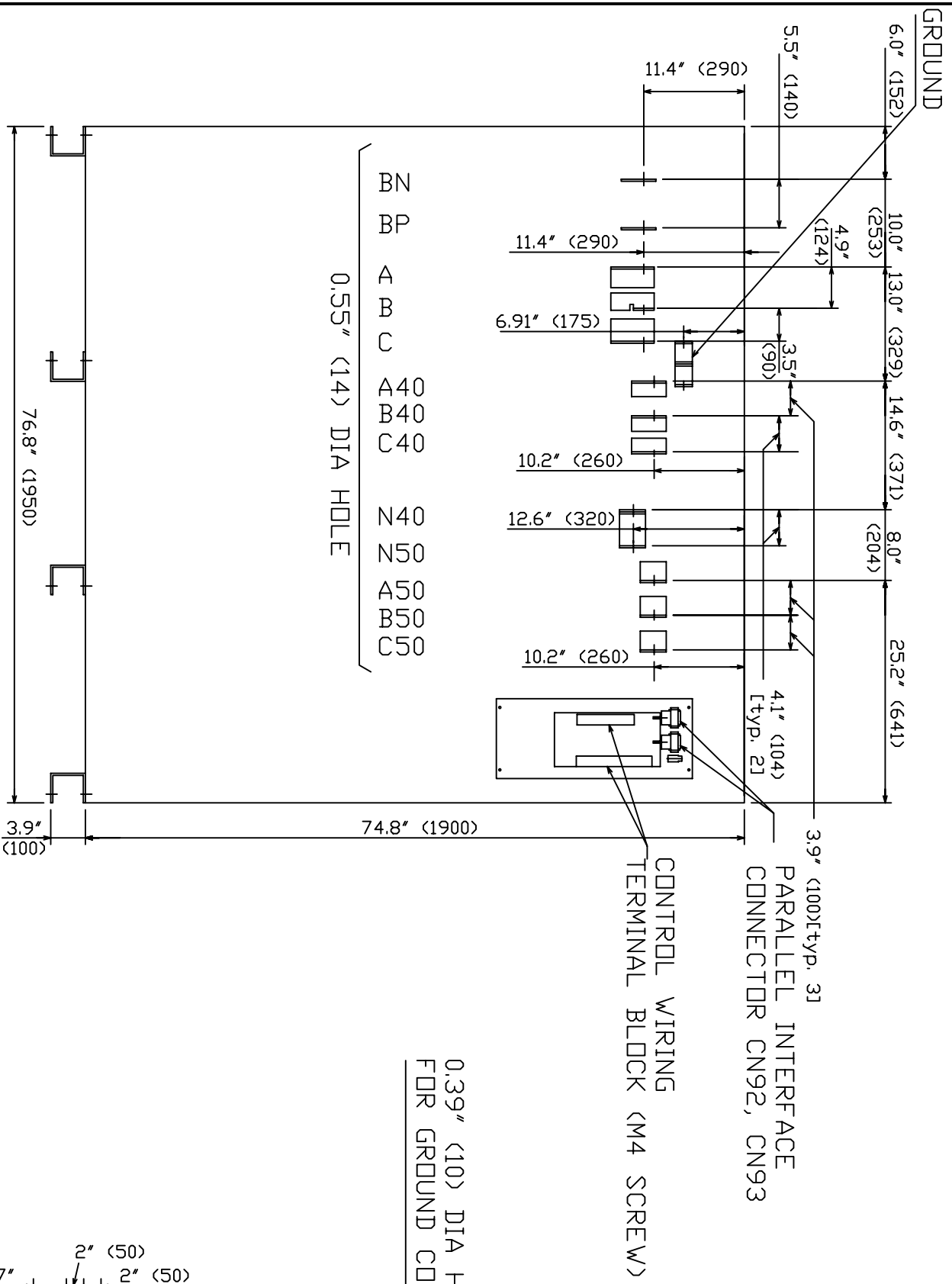
TOSHIBA INTERNATIONAL CORPORATION
13131 WEST LITTLE YORK ROAD, HOUSTON, TX, 77041 U.S.A.

SCALE: NTS ORDER NO.:

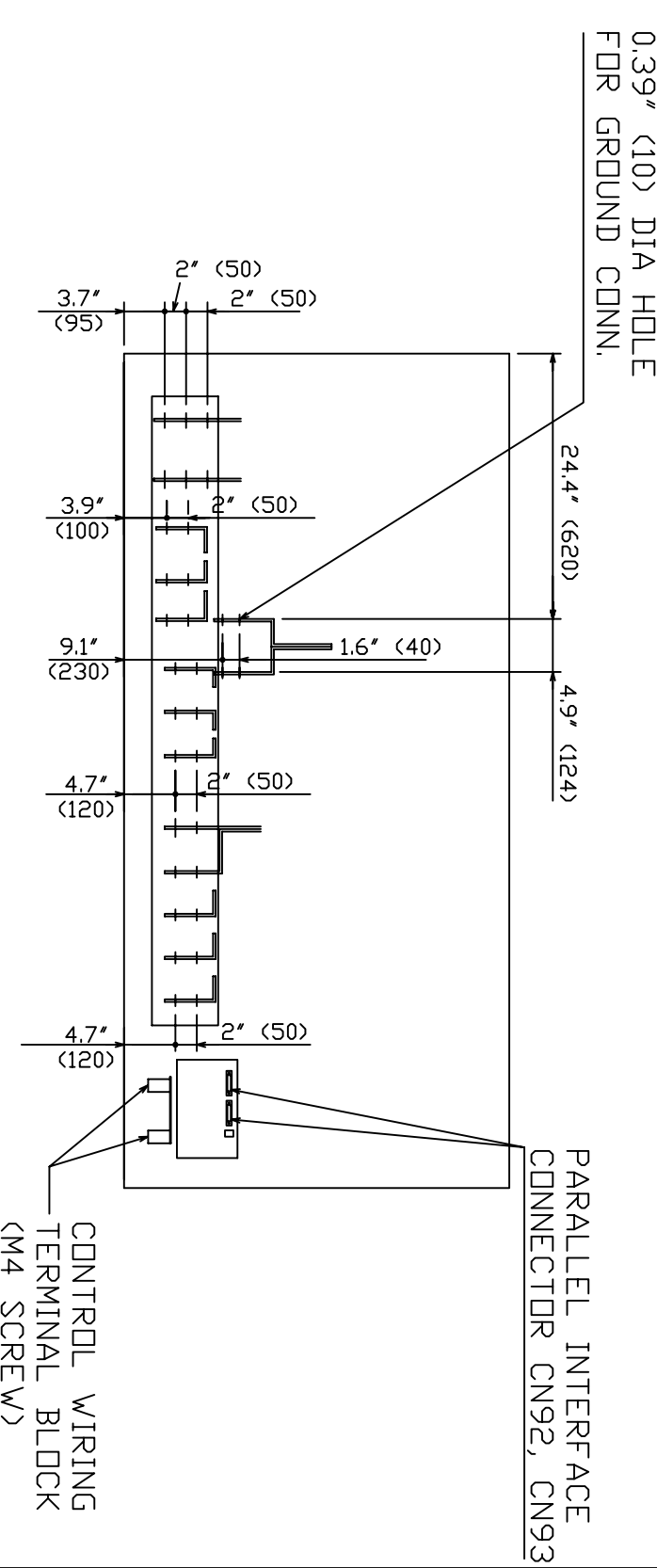
DRAWING NO. 3044DL12-MKTG

SH.1

OF 2



SECTION A-A



SECTION B-B

INIT	RELEASE	P0	JBT	DRAWN BY: JBT	DATE 10/15/07
				CHECKED BY	DATE
				APPROVED BY	DATE

THIS MATERIAL IS THE EXCLUSIVE PROPERTY OF TOSHIBA INTERNATIONAL CORPORATION AND SHALL NOT BE REPRODUCED, USED OR DISCLOSED TO OTHERS UNLESS PRIOR WRITTEN AUTHORIZATION IS OBTAINED.

TITLE: 8000MM UPS 300kVA
OUTLINE AND INSTALLATION DRAWING

TOSHIBA INTERNATIONAL CORPORATION
13131 WEST LITTLE YORK ROAD, HOUSTON, TX, 77041 U.S.A.

SCALE NTS	ORDER NO.
DRAWING NO. 30440L22-MKTG	
SH. 2	OF 2