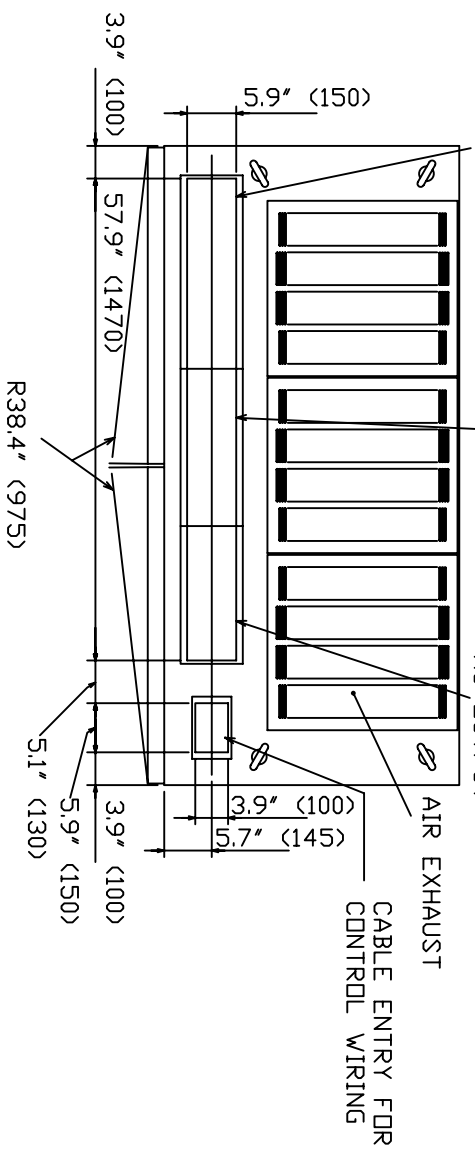


<p>NOTES</p> <p>1) This drawing is for illustration purposes only and is subject to change without notice. TIC is not responsible for any errors or omissions.</p>	<p>Drawn by EKM Date 6/04/08 Approved by</p>	<p style="text-align: center;">TOSHIBA INTERNATIONAL CORPORATION Houston Texas, USA</p> <p style="text-align: center; font-size: small;">THIS MATERIAL IS THE EXCLUSIVE PROPERTY OF TOSHIBA INTERNATIONAL CORPORATION AND SHALL NOT BE REPRODUCED, USED, OR DISCLOSED TO OTHERS UNLESS PRIOR WRITTEN AUTHORIZATION IS OBTAINED.</p>	<p>TITLE</p> <p style="text-align: center;">One-Line Diagram 375 kVA G8000MM Series UPS 480V Single Input, 480Y/277V Output</p> <table border="1" style="width: 100%;"> <tr> <td data-bbox="1491 1485 1900 1549">DRAWING NO. T8MS3K37KK6XSN</td> <td data-bbox="1900 1485 2003 1549">REV. 0.0</td> </tr> </table>	DRAWING NO. T8MS3K37KK6XSN	REV. 0.0
DRAWING NO. T8MS3K37KK6XSN	REV. 0.0				

CABLE ENTRY FOR AC INPUT, DC INPUT

CABLE ENTRY FOR BYPASS INPUT

CABLE ENTRY FOR AC OUTPUT

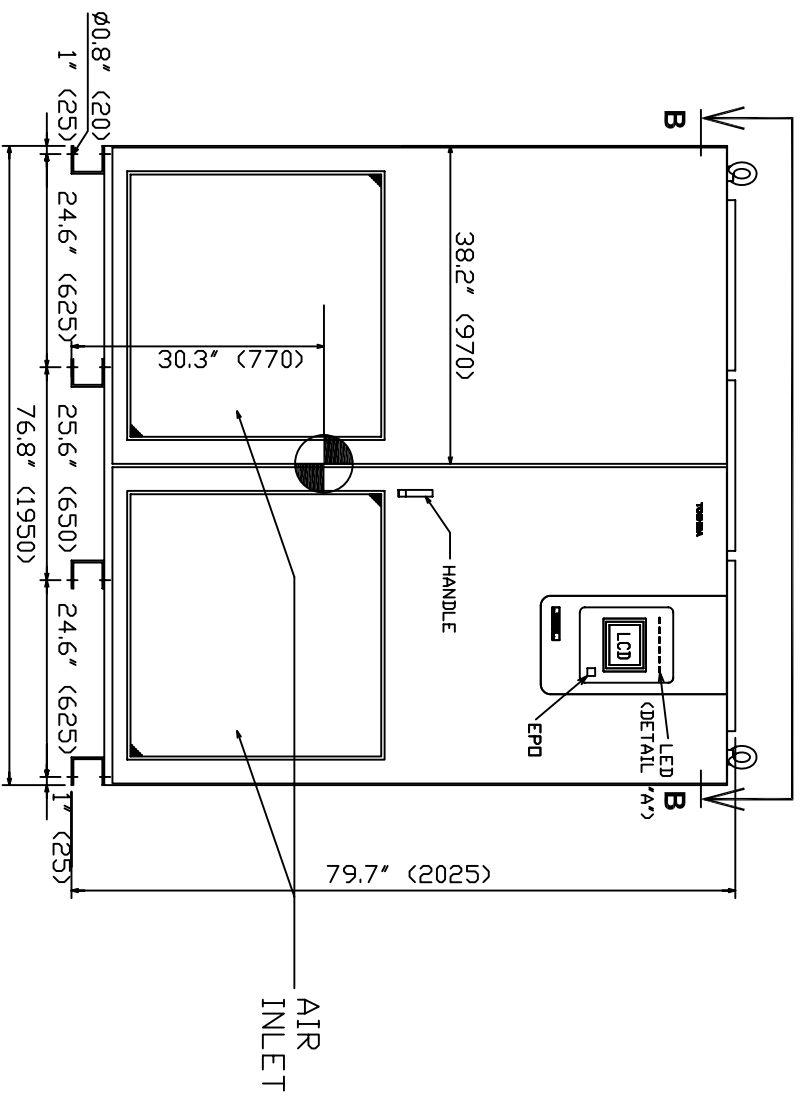


TOP VIEW

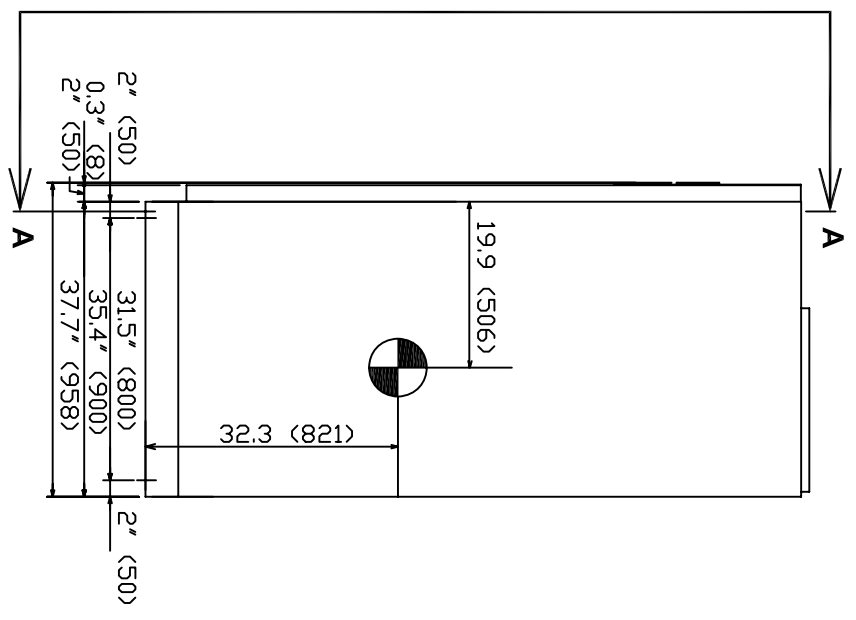
- NOTES
1. Cabinets must be maintained upright +/-10 degrees.
 2. Paint finish is color number 2.8Y7.7/D.3.
 3. Dimensions are inches (mm).

LOAD ON BATTERY LOAD ON INVERTER BYPASS OVERLOAD FAILURE UPS LCD UPS FAILURE (RED) (RED) (ORANGE) (ORANGE) (ORANGE) (RED) (RED)

DETAIL "A"



FRONT VIEW



RIGHT SIDE VIEW

5250# (2380kg)

INIT RELEASE P0 JBT

DRAWN BY: JBT DATE: 10/15/07

CHECKED BY: DATE:

APPROVED BY: DATE:

THIS MATERIAL IS THE EXCLUSIVE PROPERTY OF TOSHIBA INTERNATIONAL CORPORATION AND SHALL NOT BE REPRODUCED, USED OR DISCLOSED TO OTHERS UNLESS PRIOR WRITTEN AUTHORIZATION IS OBTAINED.

TITLE: G8000MM UPS 375kVA OUTLINE & INSTALLATION DRAWING

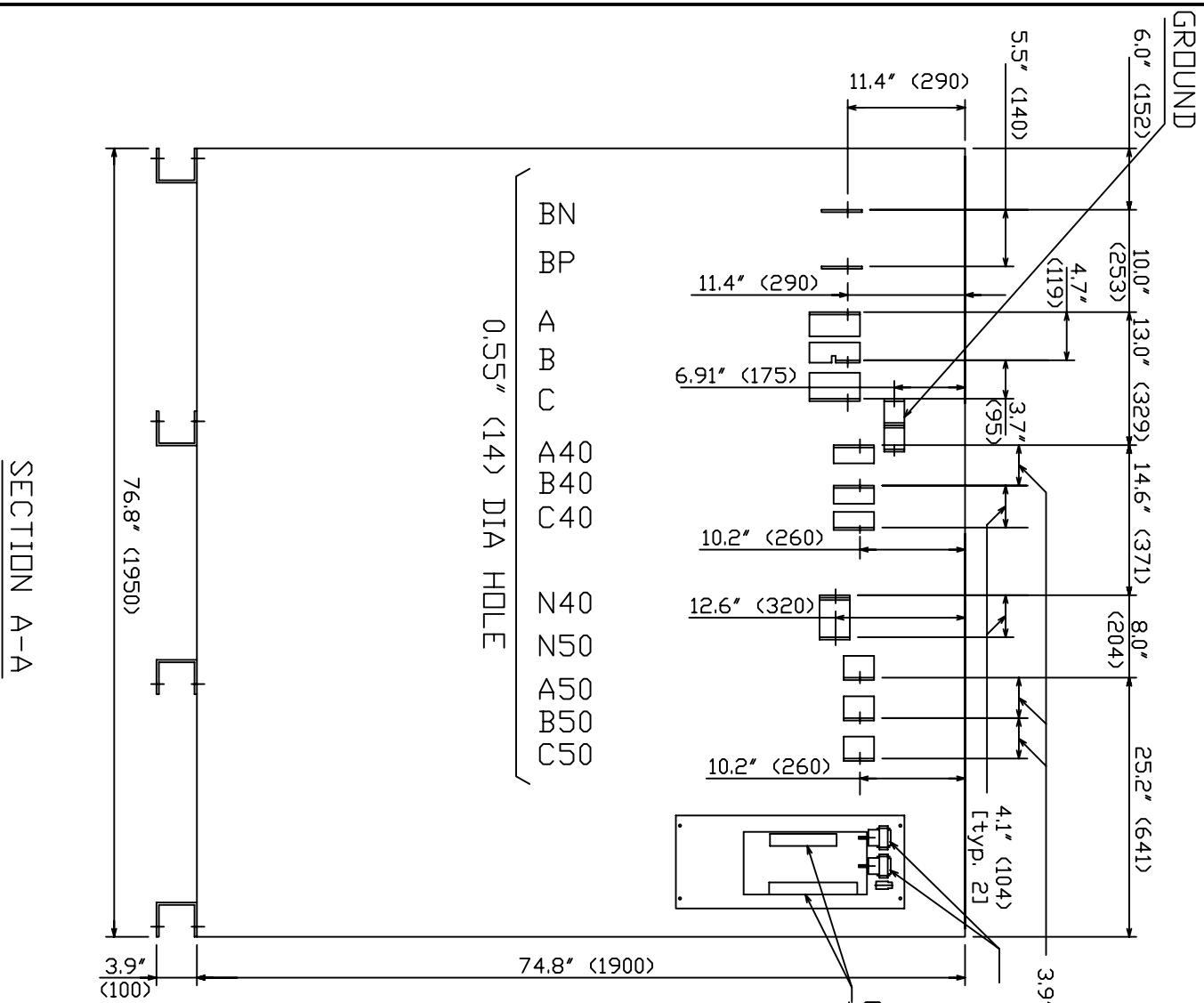
TOSHIBA INTERNATIONAL CORPORATION
13131 WEST LITTLE YORK ROAD, HOUSTON, TX, 77041 U.S.A.

SCALE: NTS ORDER NO.:

DRAWING NO. 37440L12-MKTG

SH.1

OF 2



GROUND

6.0" (152)

10.0" (253)

13.0" (329)

14.6" (371)

8.0" (204)

25.2" (641)

5.5" (140)

11.4" (290)

4.7" (119)

11.4" (290)

6.91" (175)

3.7" (95)

10.2" (260)

12.6" (320)

10.2" (260)

4.1" (104)
[typ. 21]

3.9" (100) [typ. 3]

PARALLEL INTERFACE
CONNECTOR CN92, CN93

CONTROL WIRING
TERMINAL BLOCK (M4 SCREW)

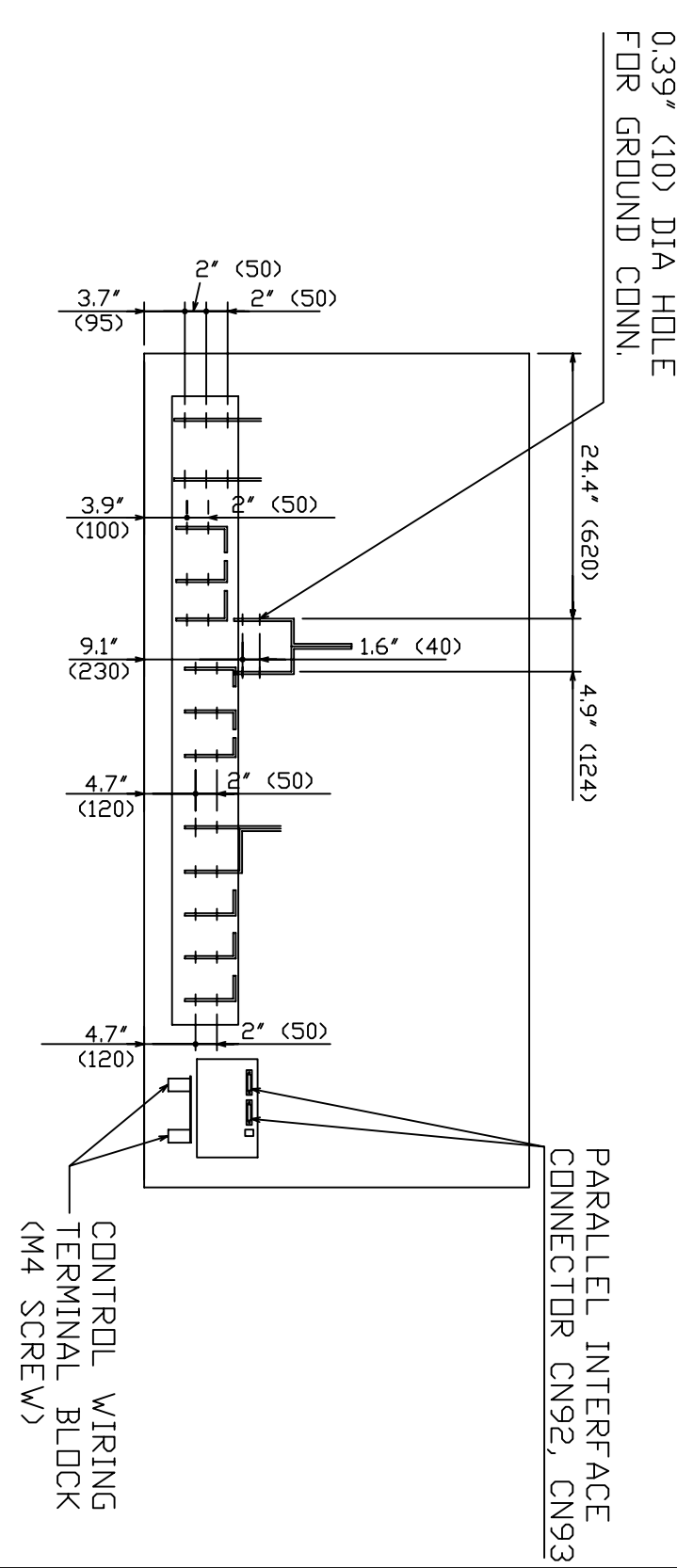
0.55" (14) DIA HOLE

BN
BP
A
B
C
A40
B40
C40
N40
N50
A50
B50
C50

76.8" (1950)

74.8" (1900)

3.9" (100)



0.39" (10) DIA HOLE
FOR GROUND CONN.

24.4" (620)

4.9" (124)

3.7" (95)

2" (50)

2" (50)

3.9" (100)

2" (50)

9.1" (230)

1.6" (40)

4.7" (120)

2" (50)

4.7" (120)

2" (50)

PARALLEL INTERFACE
CONNECTOR CN92, CN93

CONTROL WIRING
TERMINAL BLOCK
(M4 SCREW)

SECTION A-A

SECTION B-B

INIT	RELEASE	P0	JBT	DRAWN BY JBT	DATE 10/15/07
				CHECKED BY	DATE
				APPROVED BY	DATE

THIS MATERIAL IS THE EXCLUSIVE PROPERTY OF
TOSHIBA INTERNATIONAL CORPORATION AND SHALL NOT
BE REPRODUCED, USED OR DISCLOSED TO OTHERS
UNLESS PRIOR WRITTEN AUTHORIZATION IS OBTAINED.

TITLE: 68000MM UPS 375KVA
OUTLINE AND INSTALLATION DRAWING

SCALE: NTS
DRAWING NO.: 3744DL22-MKTG
ORDER NO.
SH. 2 OF 2

TOSHIBA INTERNATIONAL CORPORATION
13131 WEST LITTLE YORK ROAD, HOUSTON, TX, 77041 U.S.A.