

Part No.	UPS KVA	UPS Output Amp Rating	Breaker Type	Breaker Amp CB1/CB2/CB3	Voltage	KAIC Rating at 240V/480V/600V
MBSW-50K-S3	500KVA	800A	ABB-S6	800A/800A/800A	480Vac	50KAIC@480Vac

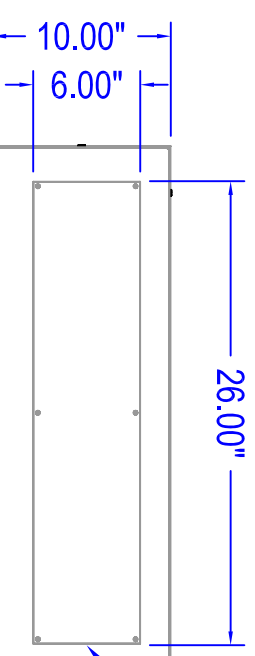
Enclosure - NEMA 1, Wall-Mount (UL Listed).

Box/ Trim - 16-Gauge steel finished with heat fused Beige polyester powder, electrostatically applied on a phosphatized base.

Breakers - ABB thermal-magnetic type, 800AT, 800AF, 3-poles, supplied with (3) 400 kcmil terminal lug per phase. (4) 500kcmil Neutral Lug. Ground Stud Inside Enclosure.

Cable Entry - Cable entry may be located in top, bottom or sides (Top/Bottom Knockout Panels Provided).

Weight - Approximately 205 lbs.



OPTIONS

Toshiba Part#: MBSW-50K-S3-KK

KK: Mechanical Interlock between CB2 & CB3

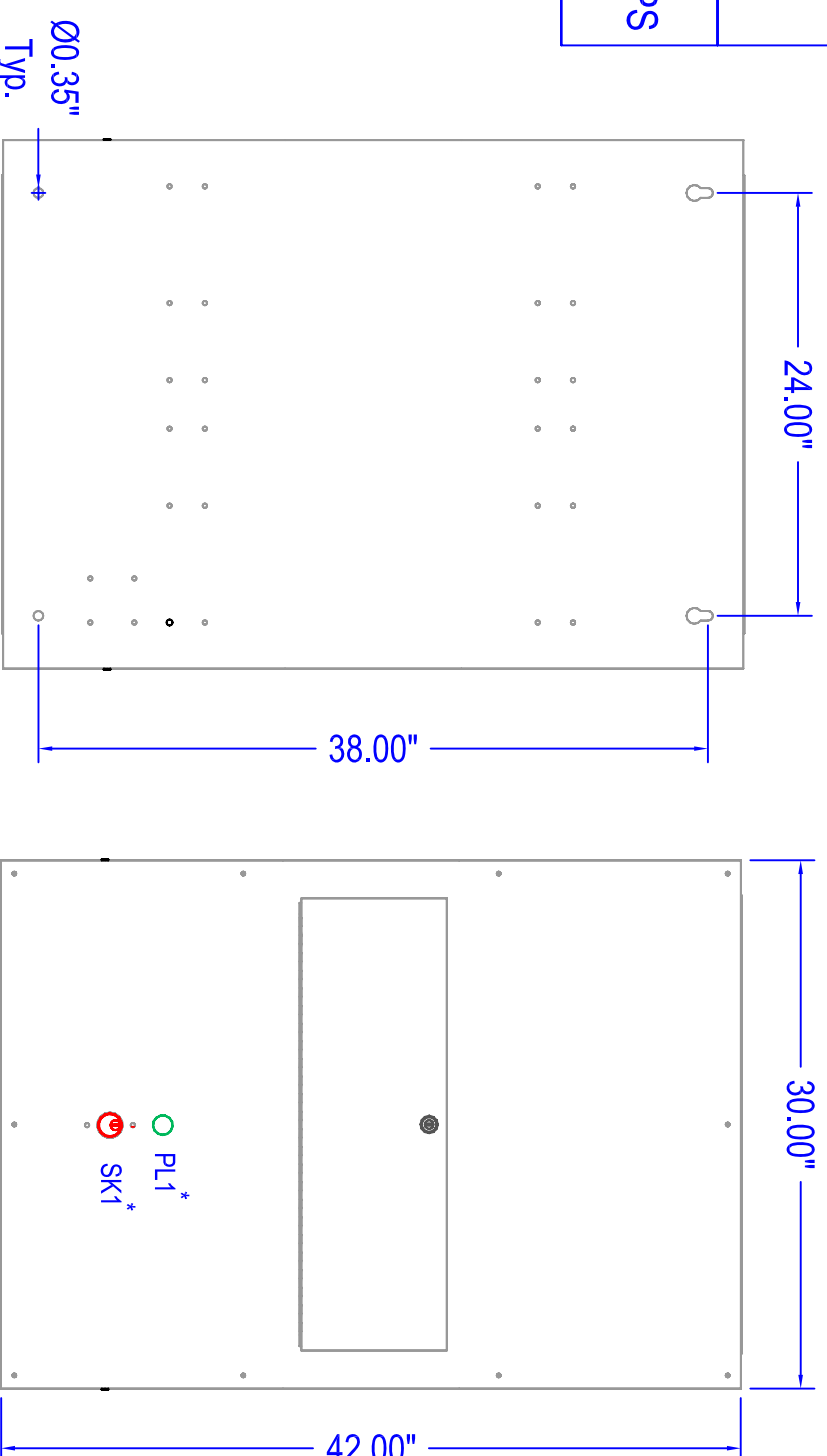
Parts: KK1-KK2

Toshiba Part#: MBSW-50K-S3-KS

KS: Electro-Mechanical Interlock between Module & UPS

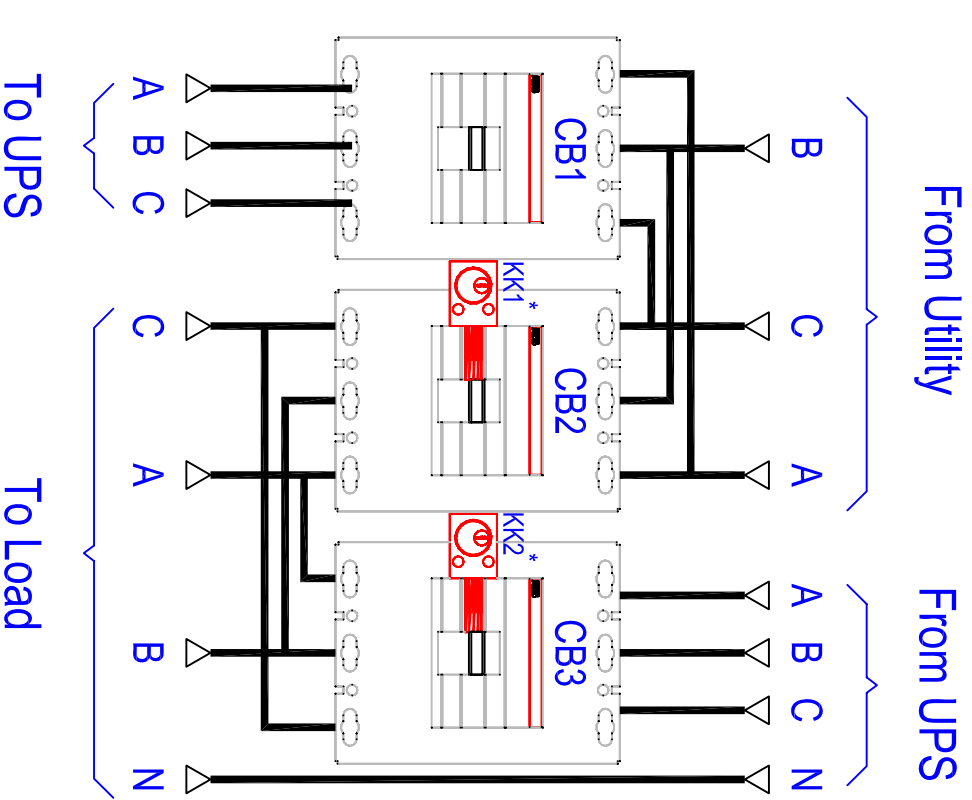
Parts: KK1-KK2-SK1-PL1

Top View



Back View

Front View



NOTE

* Please refer to **OPTION** table for all details.

INT	01	DRAWN BY: A.H	DATE Aug 18, 2008
-----	----	------------------	----------------------

CHECKED BY	DATE
APPROVED BY	DATE

THIS MATERIAL IS THE EXCLUSIVE PROPERTY OF TOSHIBA INTERNATIONAL CORPORATION AND SHALL NOT BE REPRODUCED, USED OR DISCLOSED TO OTHERS UNLESS PRIOR WRITTEN AUTHORIZATION IS OBTAINED.

TITLE: 500KVA, 800A, 480V, 3BRK Wall Mounted Bypass

TOSHIBA INTERNATIONAL CORPORATION
13131 WEST LITTLE YORK ROAD, HOUSTON, TX, 77041 U.S.A.

SCALE n/a	ORDER NO.
--------------	-----------

DRAWING NO. 500KVA-3BRK480V0800A MBS01