

Toshiba Part No.	UPS KVA	UPS Output Amp Rating	Breaker Type	Breaker Amp CB1/CB2/CB3	Voltage	KAIC Rating at 208V/480V/600V
MBSW-150-F3	15KVA	80A	ABB-T1	80A/80A/80A	208Vac	50KAIC@208Vac

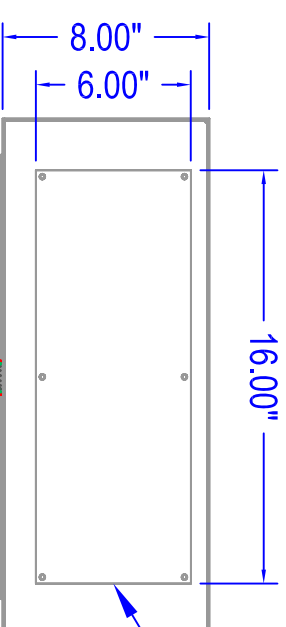
Enclosure - NEMA 1, Wall-Mount (UL Listed).

Box/ Trim - 16-Gauge steel finished with heat fused Beige polyester powder, electrostatically applied on a phosphatized base.

Breakers & Terminations - ABB thermal-magnetic type, 80AT, 100AF, 3-poles, supplied with (1) 1/0 AWG terminal lug per phase. (3) 2/0-350kcmil Neutral Lug. Ground Stud Inside Enclosure.

Cable Entry - Cable entry may be located in top, bottom or sides (Top/Bottom Knockout Panels Provided).

Weight - Approximately 75 lbs.



Top/Bottom Removable Panel

OPTIONS

Toshiba Part#: MBSW-150-F3-KK

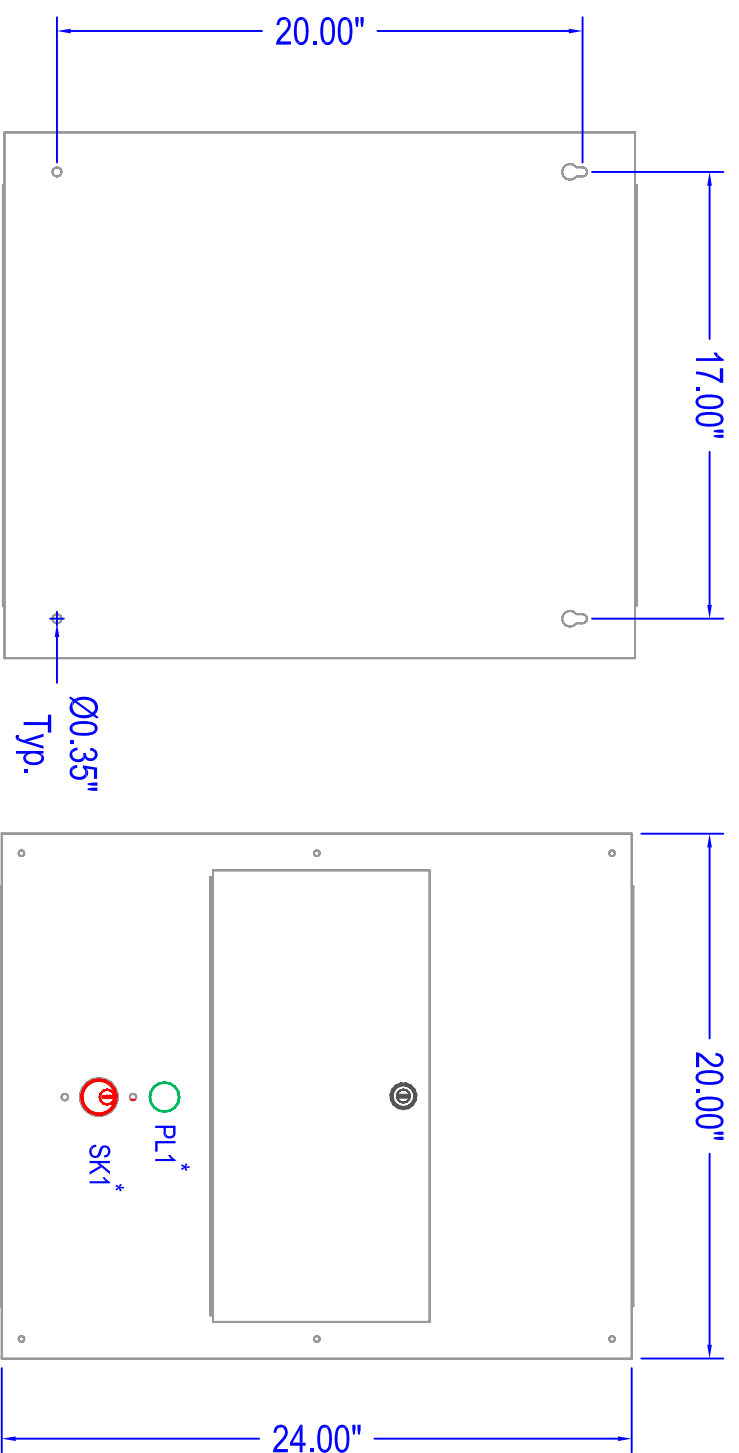
KK: Mechanical Interlock between CB2 & CB3

Parts: KK1-KK2

Toshiba Part#: MBSW-150-F3-KS

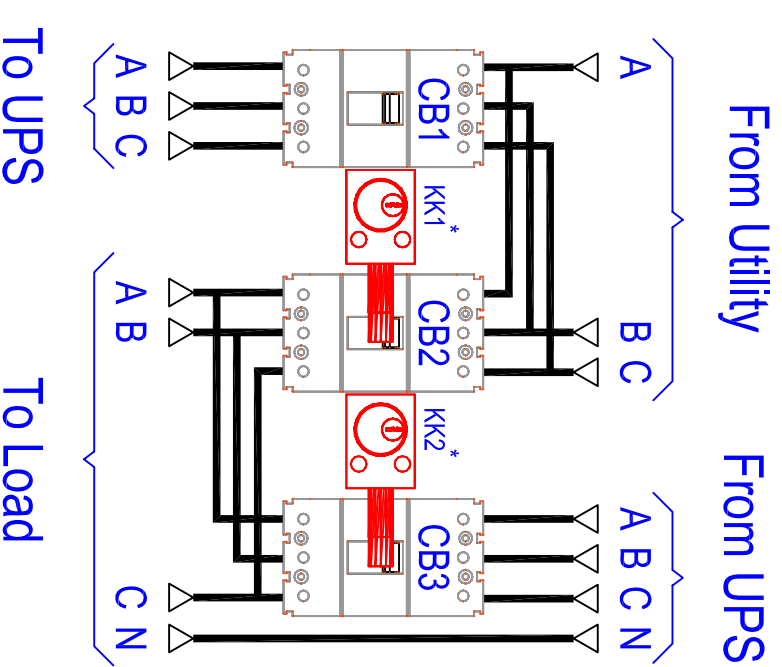
KS: Electro-Mechanical Interlock between Module & UPS

Parts: KK1-KK2-SK1-PL1



Back View

Front View



Termination View

NOTE
* Please refer to **OPTION** table for all details.

INT	01	DRAWN BY: A.Hamrah	DATE Mar 5, 09
CHG TABLE	02	CHECKED BY	DATE
		APPROVED BY	DATE

THIS MATERIAL IS THE EXCLUSIVE PROPERTY OF TOSHIBA INTERNATIONAL CORPORATION AND SHALL NOT BE REPRODUCED, USED OR DISCLOSED TO OTHERS UNLESS PRIOR WRITTEN AUTHORIZATION IS OBTAINED.

TITLE: 15KVA, 80A, 208V, 3BRK Wall Mounted Bypass

TOSHIBA INTERNATIONAL CORPORATION
13131 WEST LITTLE YORK ROAD, HOUSTON, TX, 77041 U.S.A.

SCALE n/a	ORDER NO.
DRAWING NO. 15KVA-3BRK208V0080A MBS02	SH. 1 OF 1