

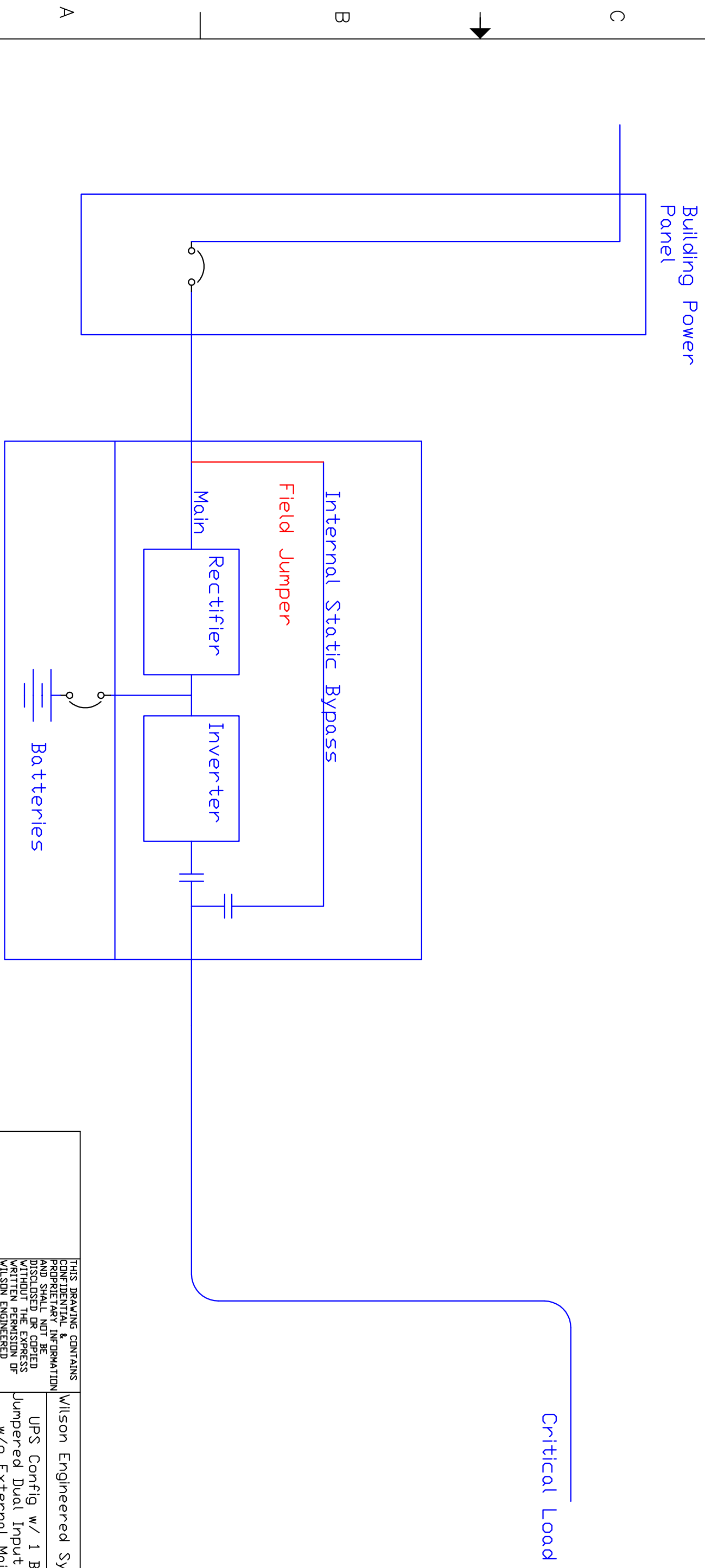
WES Configuration: UPS-10

Typical UPS Configuration with:

- Single Input UPS
- Dual Input UPS
- UPS w/ Internal Maintenance Bypass
- Two Breaker External Bypass Panel
- Three Breaker External Bypass Panel

Number of Building Panel Feeds

- One
- Two
- Three



REVISIONS			
ZONE	REV	DESCRIPTION	DATE
	1	Title Block Updated	6/25/09
			APPROVED
			TRM

THIS DRAWING CONTAINS CONFIDENTIAL & PROPRIETARY INFORMATION AND SHALL NOT BE DISCLOSED OR COPIED WITHOUT THE EXPRESS WRITTEN PERMISSION OF WILSON ENGINEERED SYSTEMS, INC.

Wilson Engineered Systems, Inc.

UPS Config w/ 1 Bldg Feed Jumpered Dual Input UPS Module w/o External Maint. Byp.

SIZE	PROJECT NO.	DWG NO.	REV
D	----	std-1010	1
SCALE			SHEET
			1