

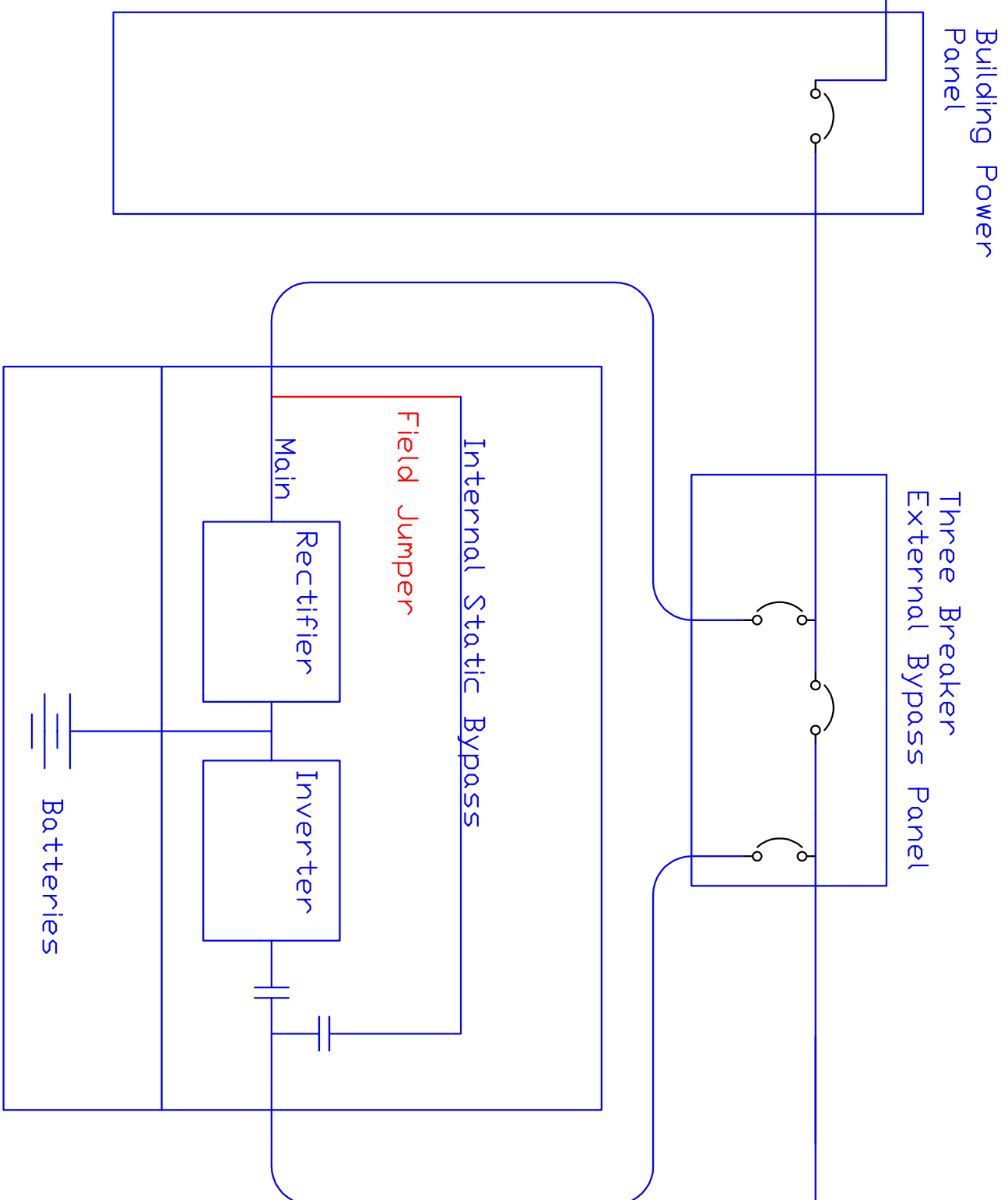
WES Configuration: UPS-11

Typical UPS Configuration with:

- Single Input UPS
- Dual Input UPS
- UPS w/ Internal Maintenance Bypass
- Two Breaker External Bypass Panel
- Three Breaker External Bypass Panel

Number of Building Panel Feeds

- One
- Two
- Three



REVISIONS			
NO.	REV.	DESCRIPTION	DATE
2		Title Block Updated	6/25/09
			TM

THIS DRAWING CONTAINS CONFIDENTIAL & PROPRIETARY INFORMATION AND SHALL NOT BE DISCLOSED OR COPIED WITHOUT THE EXPRESS WRITTEN PERMISSION OF WILSON ENGINEERED SYSTEMS, INC.

Wilson Engineered Systems, Inc.

UPS Config w/ 1 Bldg Feed Jumpered Dual Input UPS Module External Maint. Byp.

SIZE	PROJECT NO.	DWG NO.	REV
D	----	std-1011	2
SCALE			SHEET
			2