

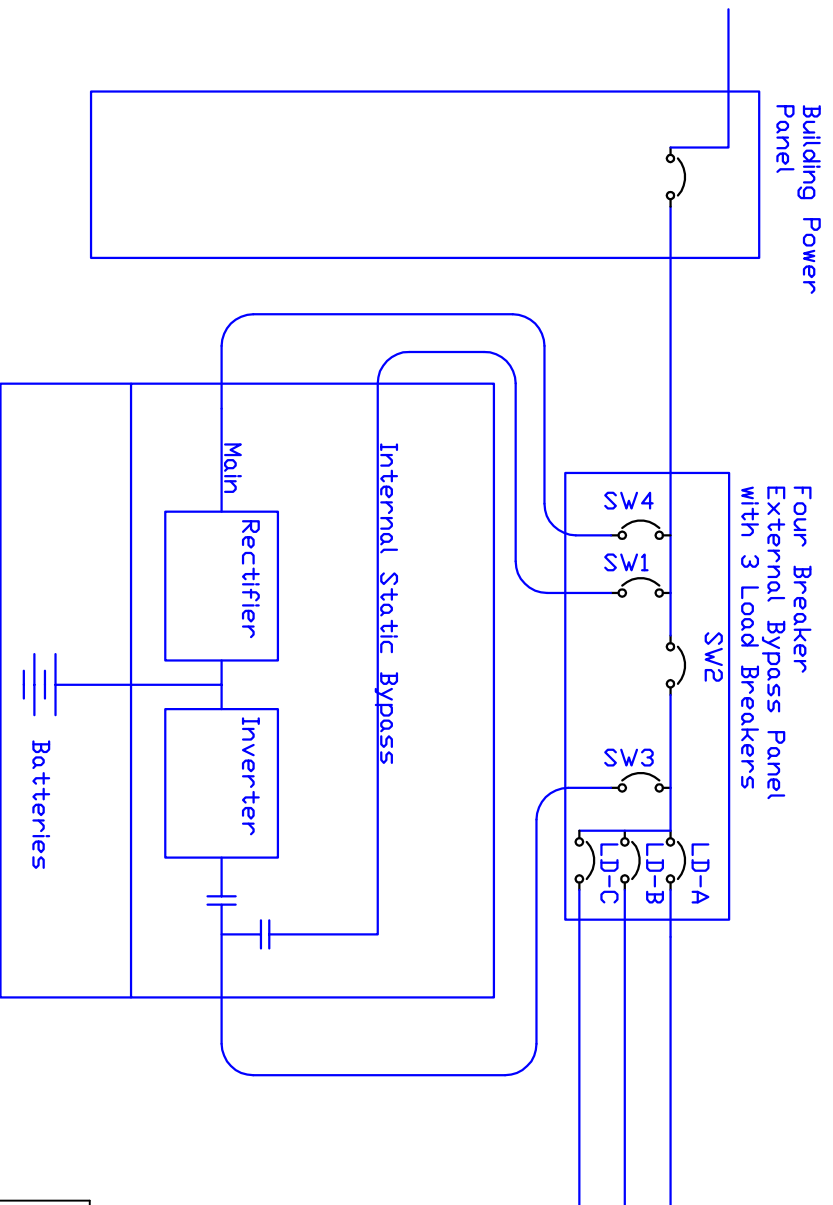
WES Configuration: UPS-11D

Typical UPS Configuration with:

- Single Input UPS
- Dual Input UPS
- UPS w/ Internal Maintenance Bypass
- Two Breaker External Bypass Panel
- Three Breaker External Bypass Panel
- Four Breaker External Bypass Panel
- Load Breakers (3)

Number of Building Panel Feeds

- One
- Two
- Three



DATE	BY	DESCRIPTION	DATE	APPROVED
0		Original	6/2/11	

THIS DRAWING CONTAINS
 CONFIDENTIAL & PROPRIETARY
 INFORMATION AND SHALL NOT BE
 REPRODUCED, COPIED, DISCLOSED OR
 TRANSMITTED IN ANY FORM OR BY
 ANY MEANS, WITHOUT THE EXPRESS
 WRITTEN PERMISSION OF WILSON
 ENGINEERING SYSTEMS, INC.

FOR INFORMATION ONLY
 NOT FOR CONSTRUCTION

Wilson Engineered Systems, Inc.
 UPS Config w/ 1 Bldg Feed
 Dual Input UPS Module 4
 Breaker Byp, 3 Load Breakers

std-1011D

0