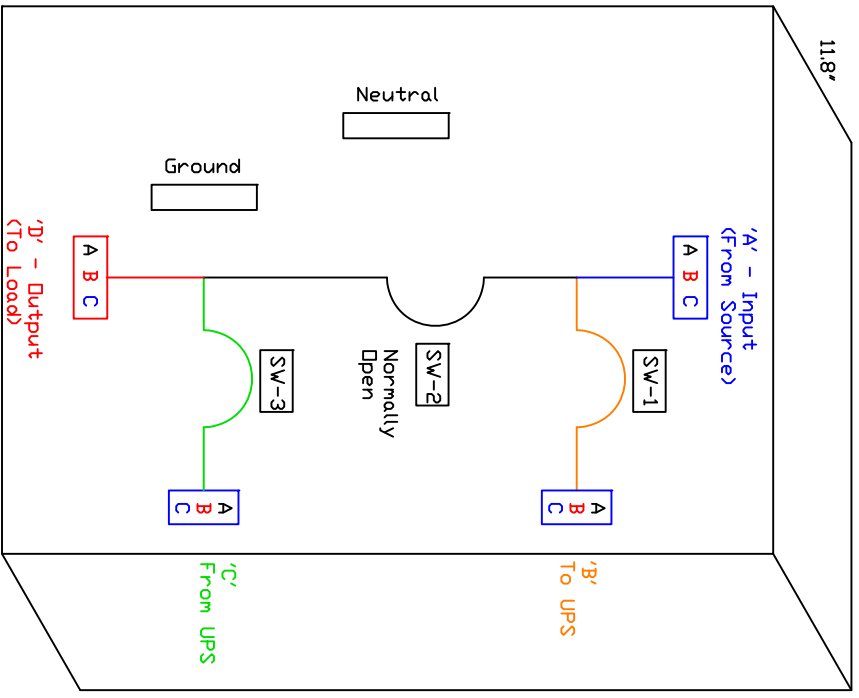


DATE	BY	DESCRIPTION	DATE	APPROVED

Wilson Engineered Systems Part Number: 106162
 Voltage: 277/480/3/60
 Breakers: Cutler-Hammer FD, 3 pole, 125 amp, 35 kAIC
 Maximum UPS Rating: 83 kVA (based upon 80% NEC Rating)
 Breakers are behind key lock door (not shown).
 Enclosure: Surface Mount, 12 Gauge



A - From power source feeding system
 Lands on bus bar with lugs provided with panel
 Lugs: (1) #6 to 250 kcm per phase
 (1) #6 to 250 kcm Neutral
 (1) #14 to #2 Ground

B - Feeds to associated UPS System, if dual fed UPS 'B' feeds to UPS bypass input, if single fed UPS, feeds to UPS input.
 Phases land on breaker's lugs
 Lugs: (1) #4 to 4/0 per phase
 (1) #6 to 250 kcm Neutral
 (1) #14 to #2 Ground

C - Fed from associated UPS System output.
 Phases land on breaker's lugs
 Lugs: (1) #4 to 4/0 per phase
 (1) #6 to 250 kcm Neutral
 (1) #14 to #2 Ground

D - Feeds to critical load being supported by associated UPS System
 Lands on bus bar with lugs provided with panel
 Lugs: (1) #6 to 250 kcm per phase
 (1) #6 to 250 kcm Neutral
 (1) #14 to #2 Ground

Note: Field wiring phasing must be clockwise rotation and consistent, A phase must be A phase at all connections, B phase must be B phase at all connections and C phase must be C phase at all connections as the panel operation includes overlapping breaker circuits. Associated UPS must be in bypass mode (without transformation) for make before break operation.

THIS DRAWING CONTAINS CONFIDENTIAL & PROPRIETARY INFORMATION. IT IS TO BE USED ONLY BY THE PERSONS SPECIFICALLY NAMED HEREON. IT IS TO BE KEPT UNDER LOCK AND KEY AND SHALL NOT BE DISCLOSED OR COPIED WITHOUT THE EXPRESS WRITTEN PERMISSION OF WILSON ENGINEERED SYSTEMS, INC.

Wilson Engineered Systems, Inc.
 11501 Columbia Park Drive West, Bldg 100
 Jacksonville, FL 32258

3 Breaker UPS Bypass Panel
 277/480/3/60 Volt
 125 Amp, 35 kAIC

DATE: 11/11/11
 DRAWN BY: MBP-3-480-0125-35